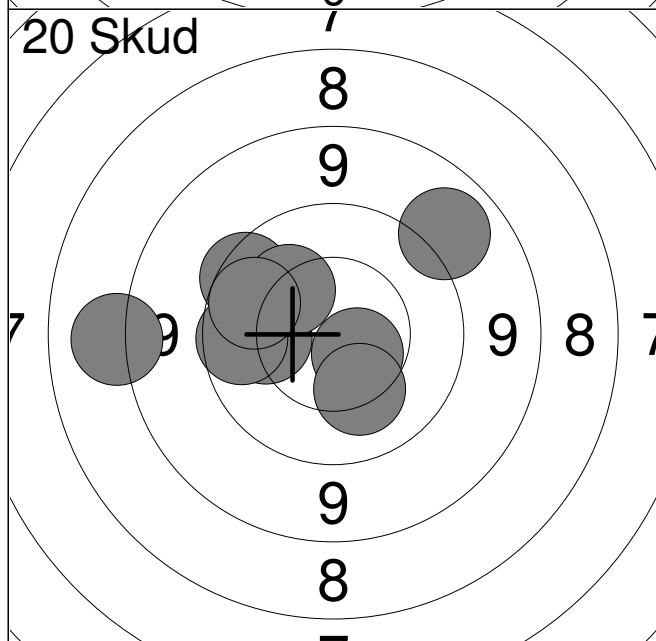
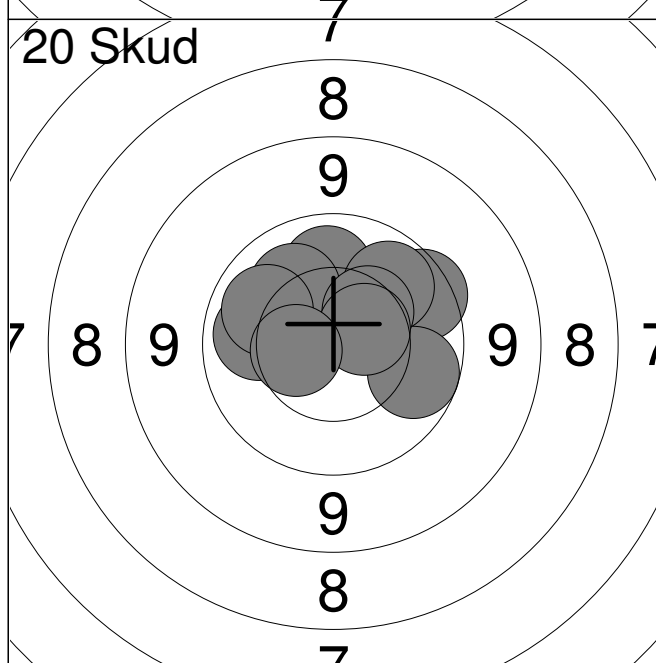


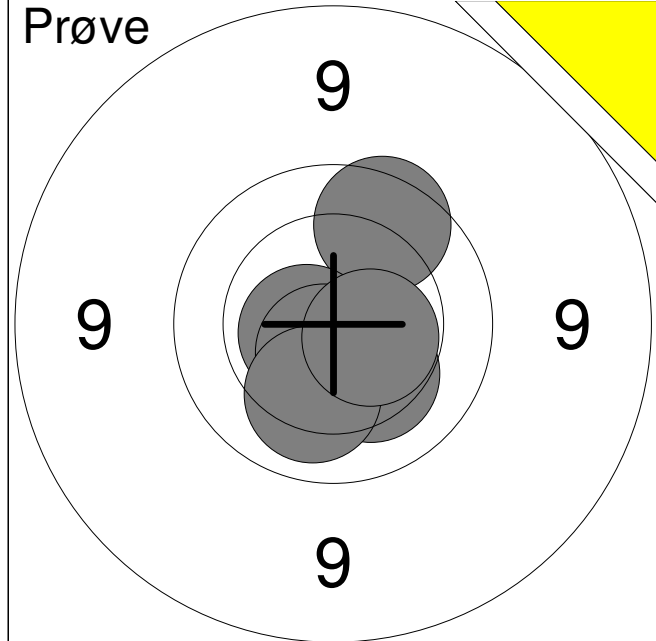
1:	6.1	↑
2:	10.6x	→
3:	9.7	→
4:	9.9	↑
5:	9.7	↓
6:	10.2	←
7:	10.3	←
8:	10.4	↑
Serie		73
Total		0



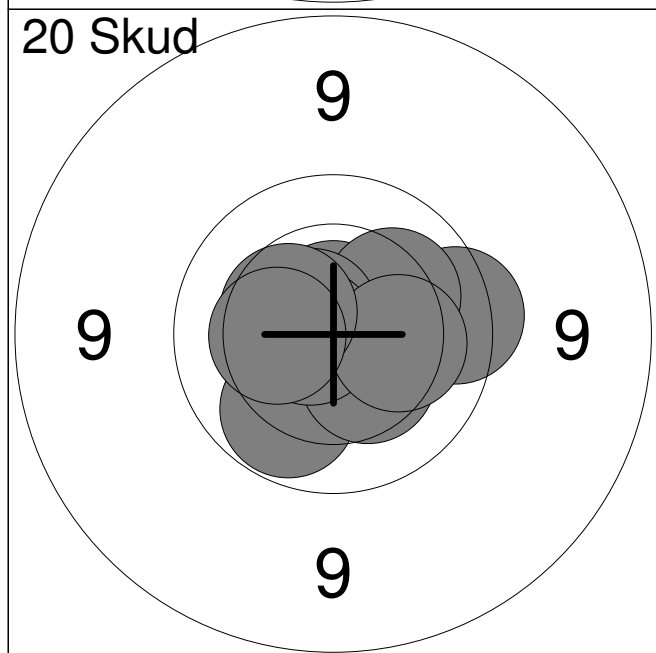
1:	10.1	↖
2:	8.2	←
3:	9.7	↗
4:	10.2	←
5:	10.6	↘
6:	9.9	←
7:	10.2	↗
8:	9.9	↖
9:	9.1	↗
10:	10.2	↓
Serie		94
Total		94



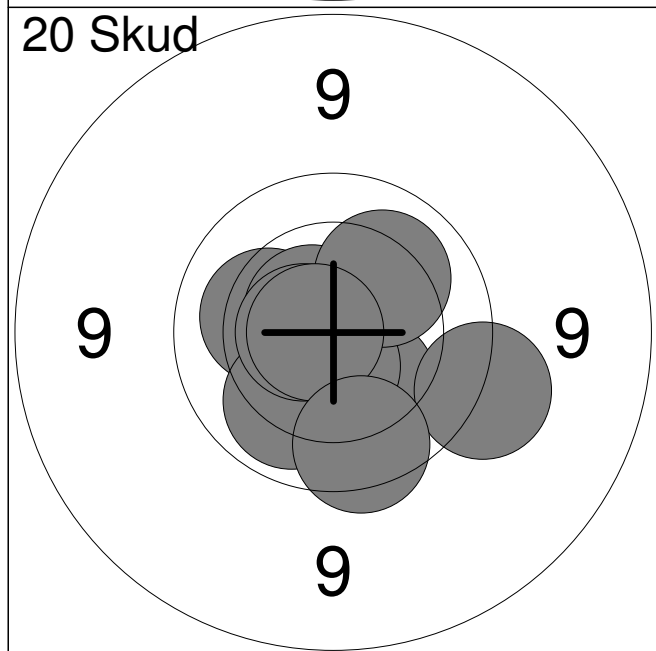
11:	9.7	↗
12:	10.1	↑
13:	10.2	↗
14:	10.1	←
15:	10.0	↗
16:	9.9	→
17:	10.4	↗
18:	10.1	↖
19:	10.5	↗
20:	10.5	←
Serie		98
Total		192



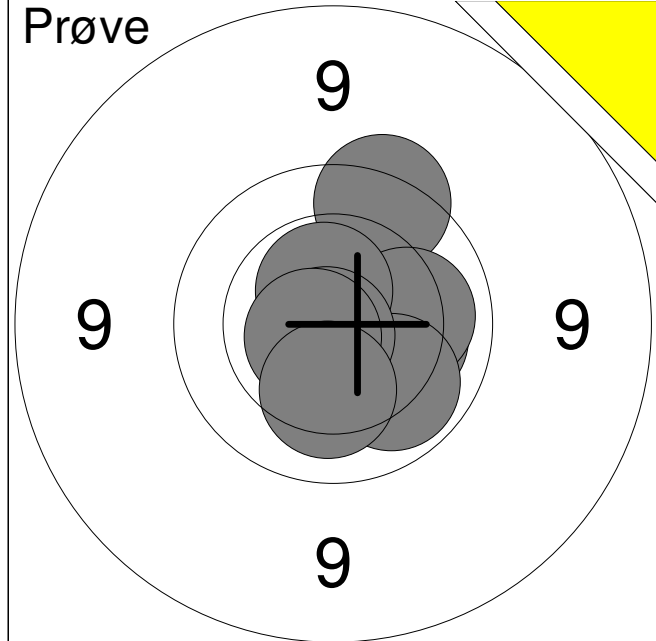
1:	9.8	↗
2:	10.3	↘
3:	10.6x	←
4:	10.6x	↘
5:	10.1	↘
6:	10.5x	→
Serie		59
Total		0



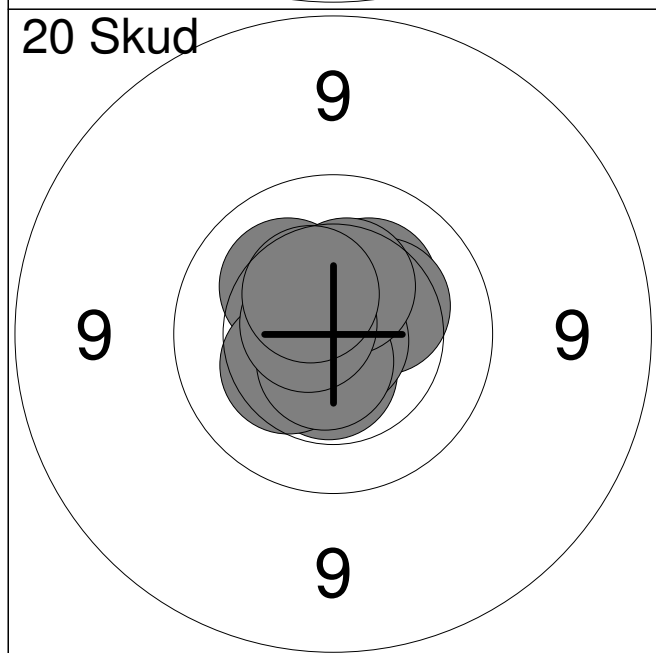
1:	10.0	↘
2:	10.7x	↑
3:	10.4	↘
4:	9.7	→
5:	10.2	↗
6:	10.6x	↗
7:	10.7x	←
8:	10.2	→
9:	10.4	↗
10:	10.3	←
Serie		99
Total		99



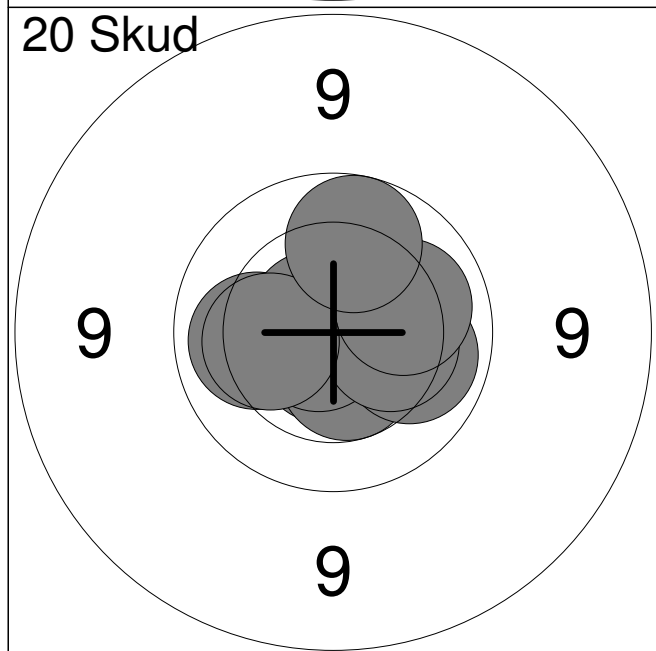
11:	10.3	↘
12:	10.6x	↘
13:	10.2	←
14:	10.6x	↗
15:	10.2	↗
16:	10.1	↘
17:	10.6x	←
18:	9.5	→
19:	10.7x	←
20:	9.8	↘
Serie		98
Total		197



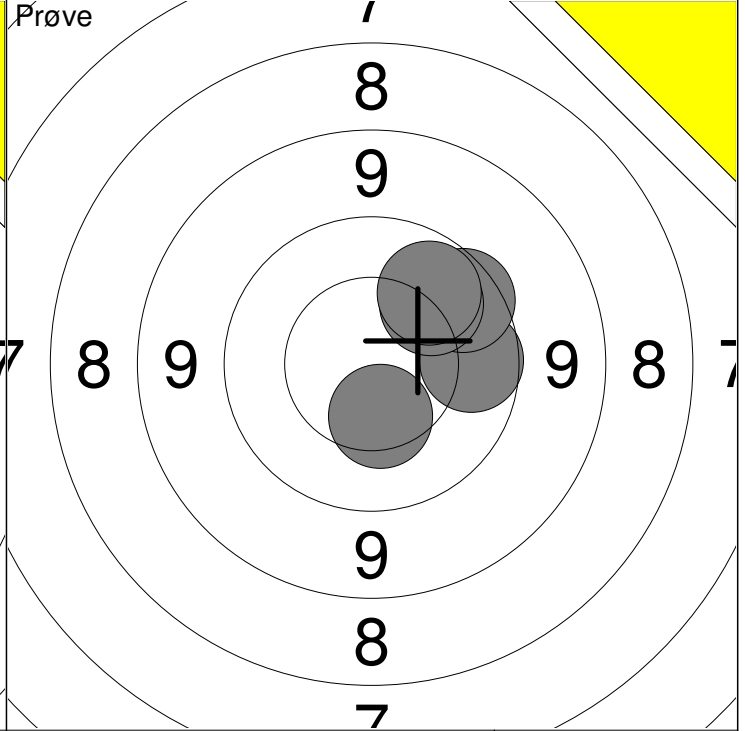
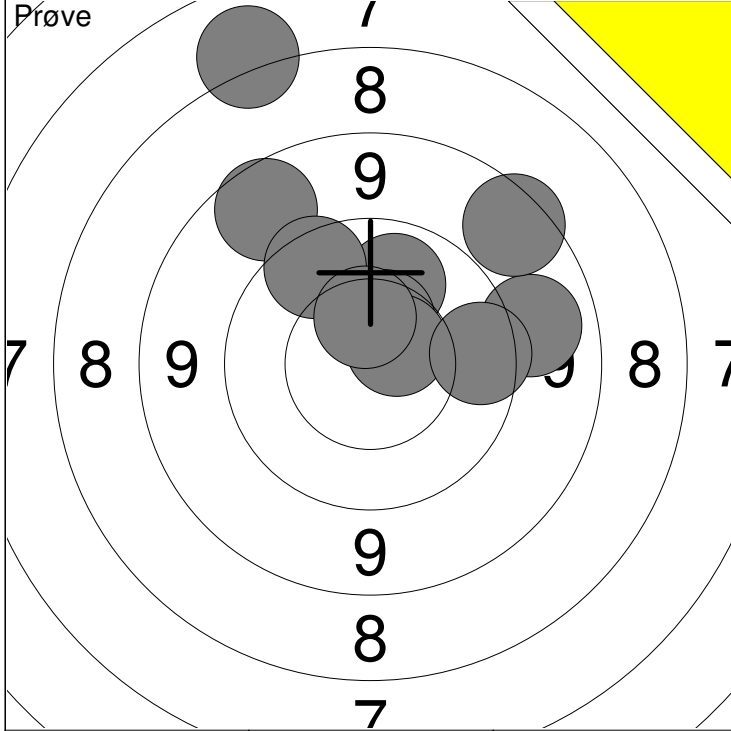
1:	9.7	↑
2:	10.2	→
3:	10.1	→
4:	10.0	↓
5:	10.6x	↑
6:	10.8x	↓
7:	10.7x	←
8:	10.2	↓
Serie		79
Total		0



1:	10.2	↖
2:	10.3	↗
3:	10.3	↗
4:	10.5x	↓
5:	10.4	←
6:	10.8x	↓
7:	10.6x	↓
8:	10.4	↑
9:	10.6x	←
10:	10.4	↖
Serie		100
Total		100

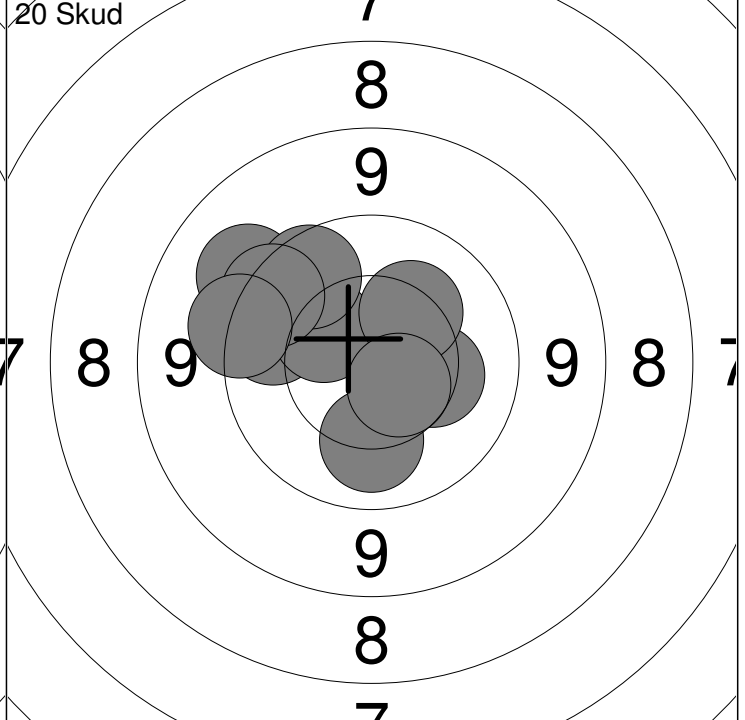
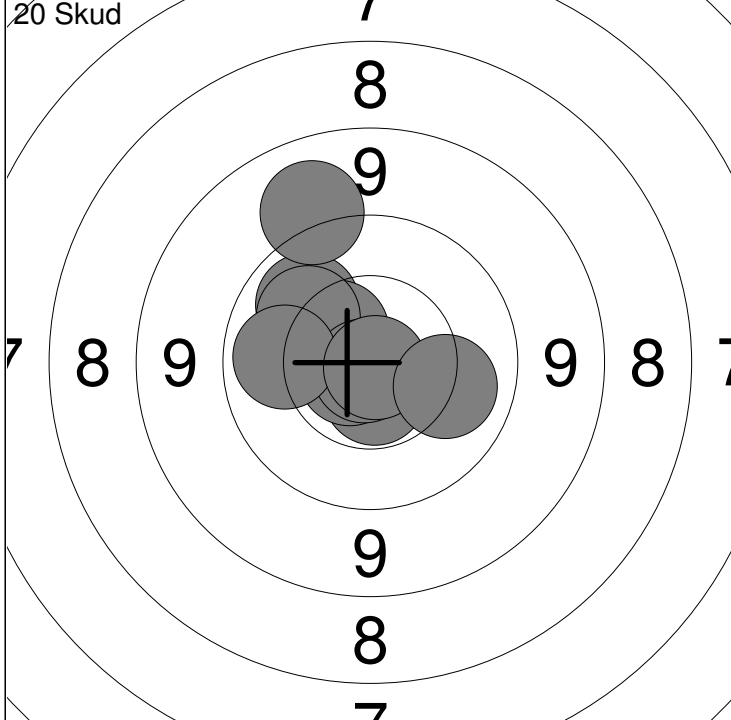


11:	10.1	←
12:	10.7x	↓
13:	10.5x	↓
14:	10.7x	↖
15:	10.8x	←
16:	10.1	→
17:	10.3	→
18:	10.1	→
19:	10.3	←
20:	9.9	↑
Serie		99
Total		199



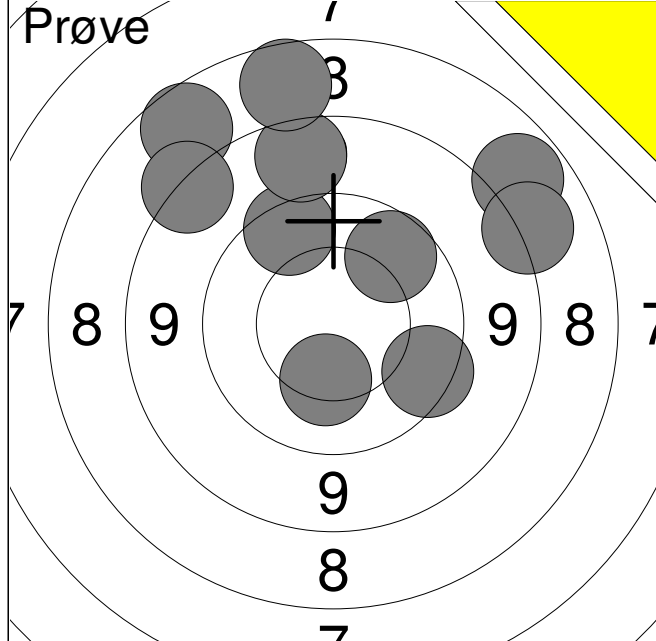
1: 7.2 ↖	6: 10.5 ↗	Serie 90
2: 8.9 ↖	7: 9.8 ↖	
3: 10.1 ↗	8: 10.6x ↗	Total 0
4: 9.1 →	9: 10.5 ↗	
5: 8.7 ↗	10: 9.8 →	

11: 9.9 →	Serie 48
12: 9.8 ↗	
13: 10.4 ↓	Total 0
14: 10.1 ↗	
15: 10.0 ↗	

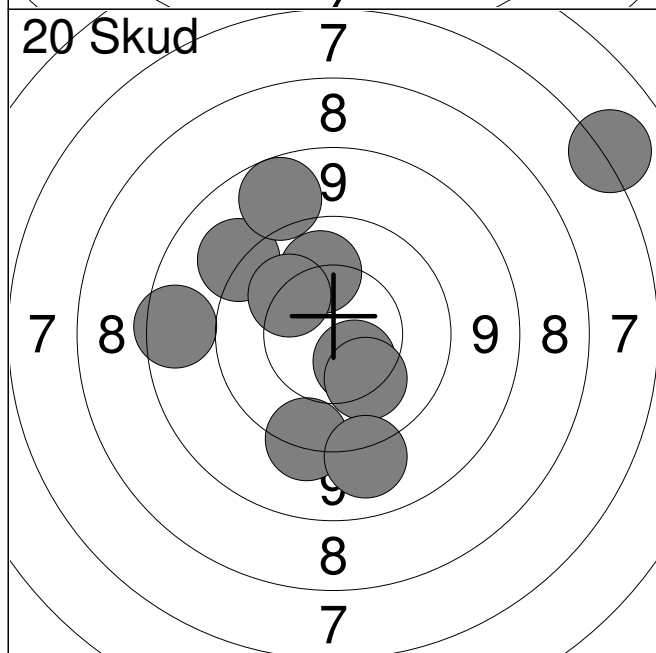


1: 10.1 ↖	6: 10.8x ↘	Serie 99
2: 10.6x ↓	7: 10.1 ←	
3: 10.5 ↗	8: 10.9x ↘	Total 99
4: 10.7x ↙	9: 9.2 ↗	
5: 10.1 ↖	10: 10.1 →	

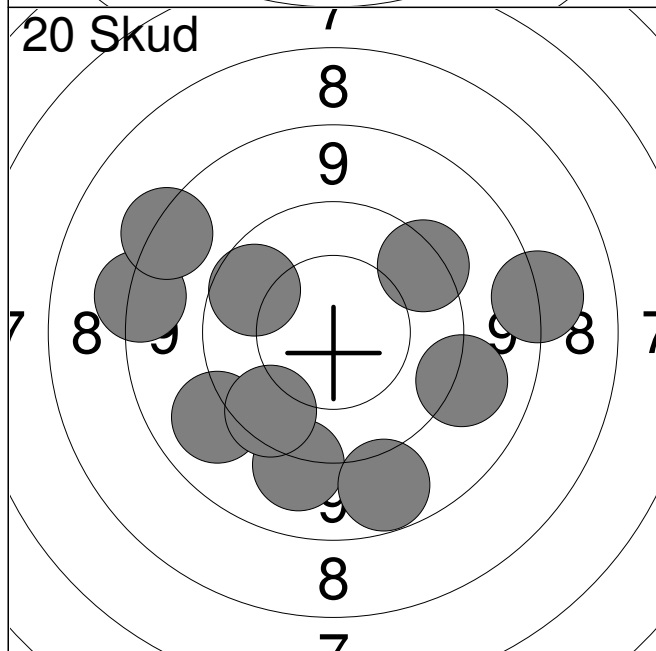
11: 9.3 ↖	16: 9.7 ↖	Serie 95
12: 10.3 →	17: 10.1 ↓	
13: 9.9 ↖	18: 9.5 ←	Total 194
14: 10.3 ↖	19: 10.3 ↗	
15: 9.8 ↖	20: 10.6 ↘	



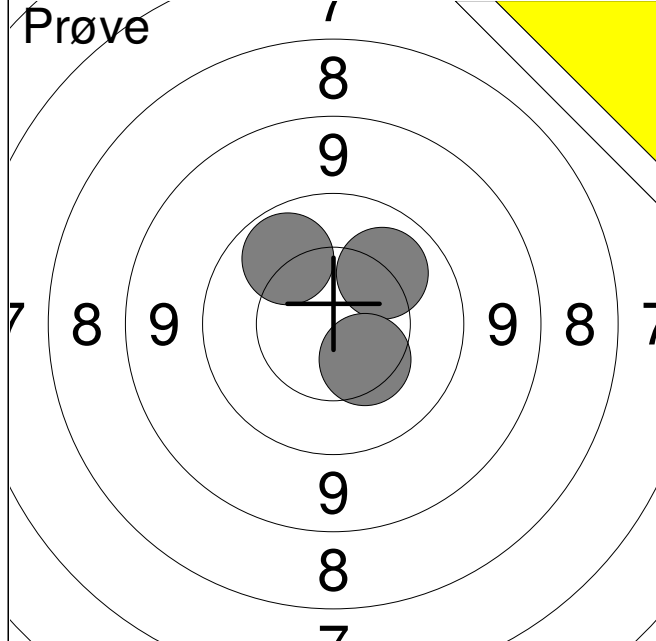
1:	9.9	↗
2:	9.7	↗
3:	10.3	↘
4:	7.9	↗
5:	8.8	↗
6:	8.5	↗
7:	7.9	↗
8:	8.0	↗
9:	9.7	↘
10:	8.2	↗
Serie		83
Total		0



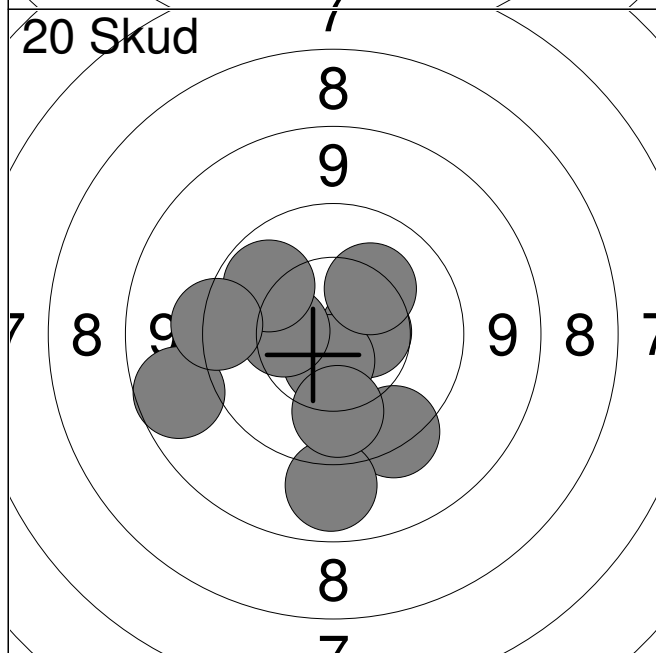
1:	6.3	↗
2:	9.5	↘
3:	10.5	↘
4:	9.3	↗
5:	10.1	↗
6:	10.2	↗
7:	10.2	↘
8:	8.8	←
9:	9.0	↗
10:	9.2	↘
Serie		90
Total		90



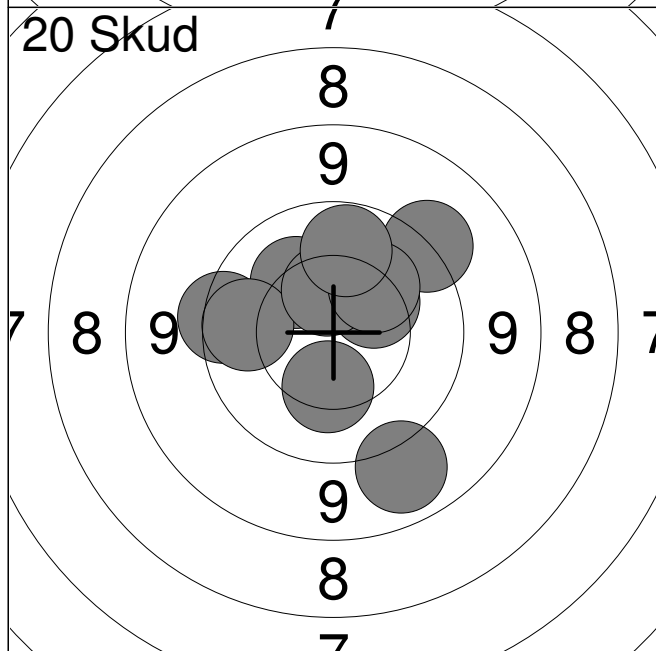
11:	8.5	←
12:	9.3	↘
13:	9.6	↗
14:	9.3	↘
15:	9.2	↘
16:	9.7	↘
17:	9.9	↗
18:	9.0	↘
19:	8.4	→
20:	8.5	↗
Serie		87
Total		177



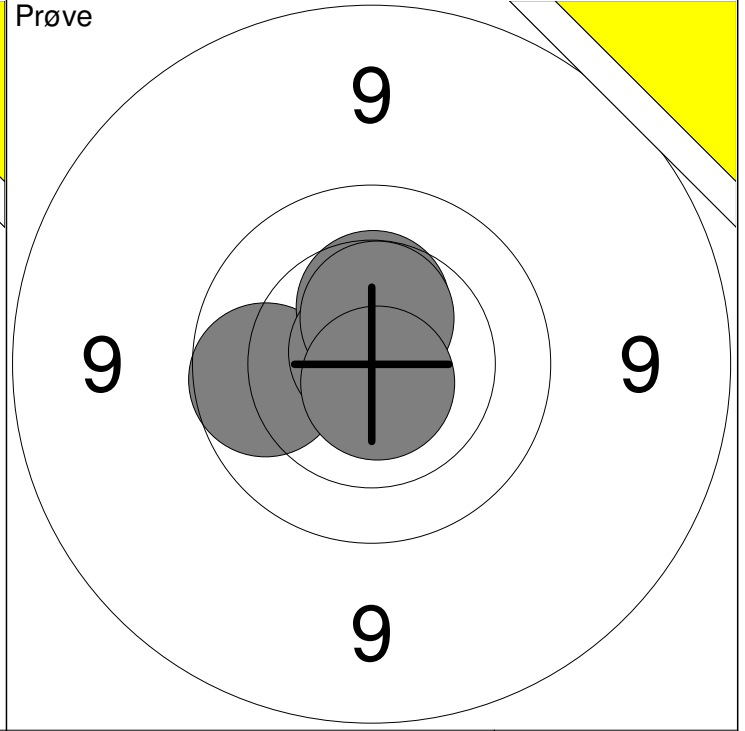
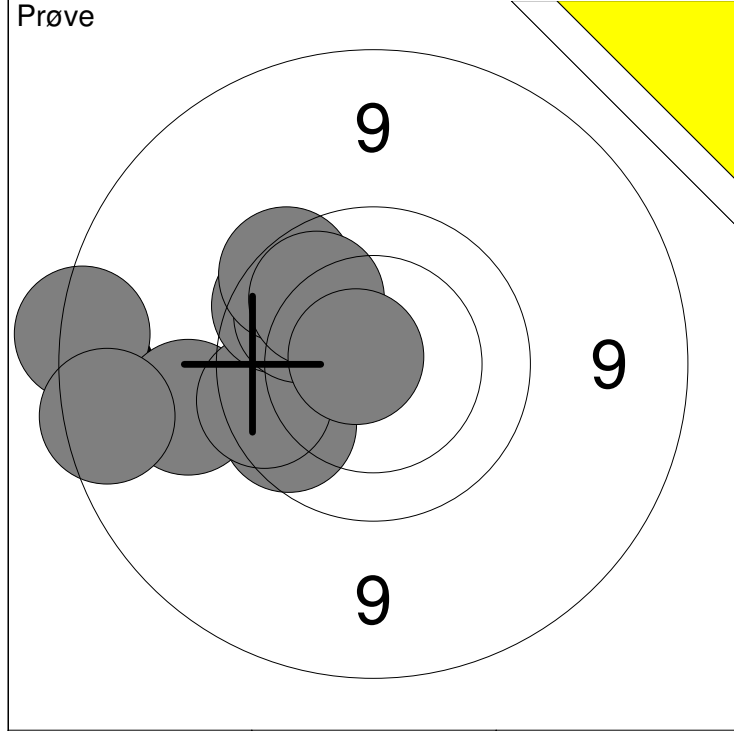
1:	10.1	↗
2:	10.4	↘
3:	10.0	↗
Serie	30	
Total	0	



1:	9.6	↘
2:	10.6	→
3:	8.9	←
4:	9.1	↓
5:	10.6x	↓
6:	10.0	↓
7:	10.4	←
8:	10.0	↗
9:	9.5	←
10:	10.3	↗
Serie	95	
Total	95	

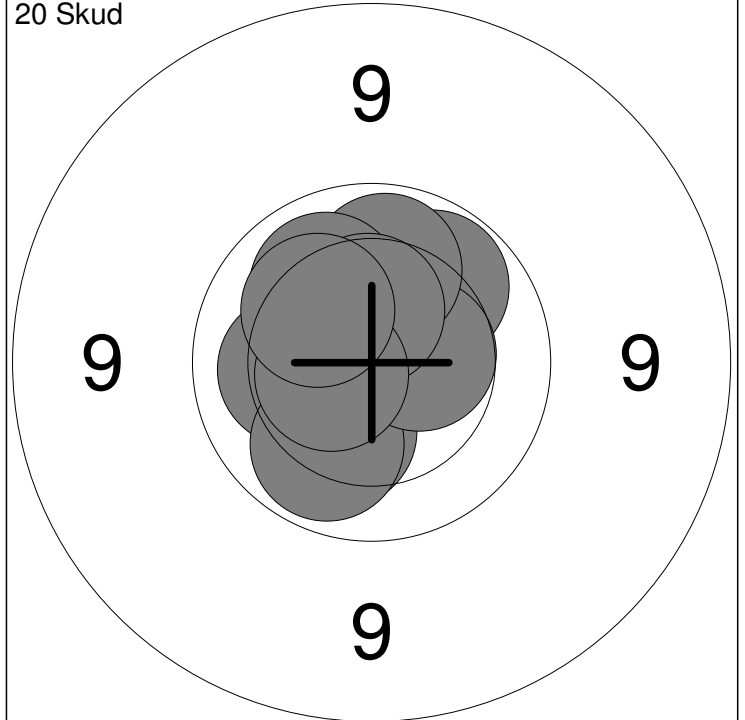
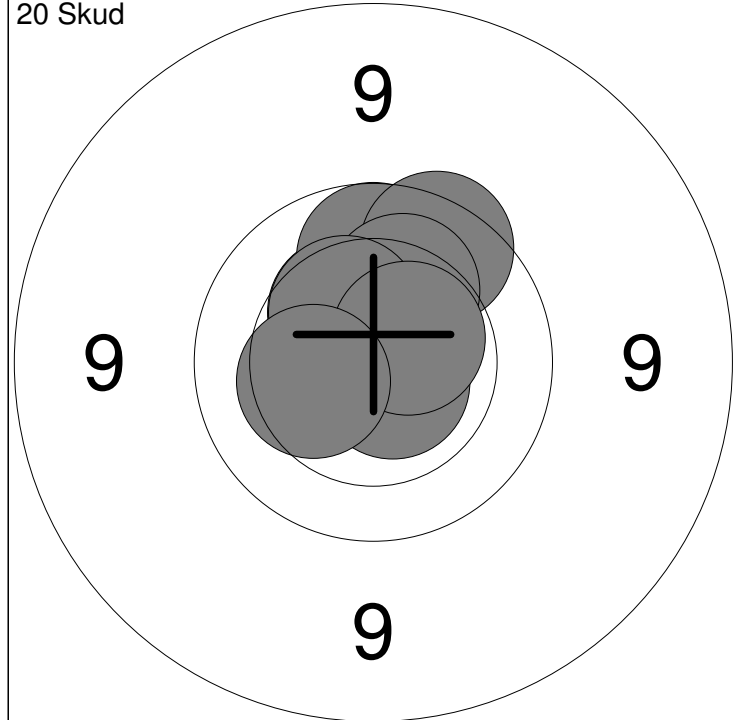


11:	9.6	←
12:	10.3	↓
13:	9.4	↗
14:	10.2	↗
15:	10.4	↗
16:	9.9	←
17:	10.4	↑
18:	9.1	↘
19:	10.2	↗
20:	10.0	↑
Serie	96	
Total	191	



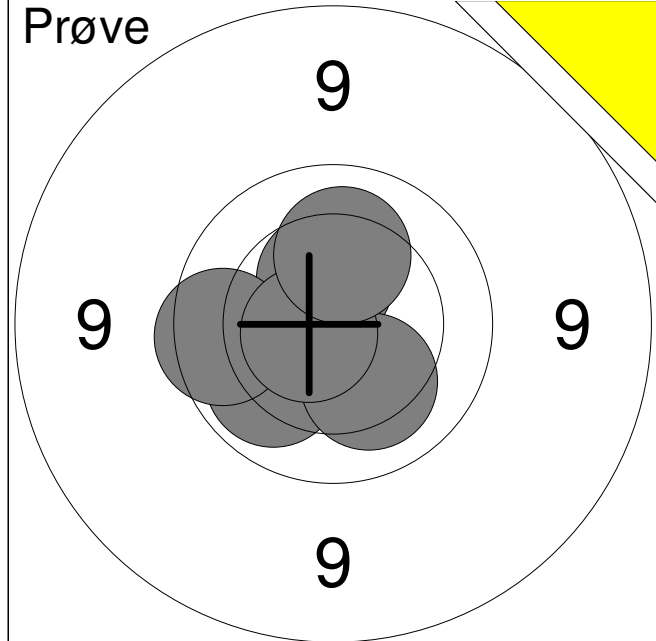
1: 8.8 ←	6: 9.8 ↖	Serie	91
2: 9.3 ←	7: 10.0 ↗		
3: 8.8 ←	8: 9.7 ↗	Total	0
4: 9.9 ↙	9: 10.0 ↗		
5: 9.8 ←	10: 10.7x ↖		

11: 9.9 ←	Serie	49
12: 10.4 ↑		
13: 10.8x ↖	Total	0
14: 10.5x ↑		
15: 10.8x ↓		

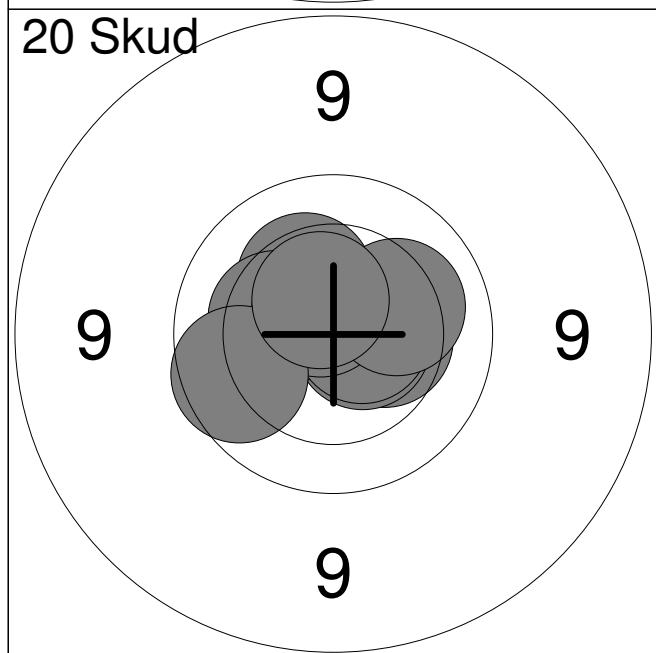


1: 10.7x ↗	6: 9.8 ↗	Serie	98
2: 10.7x ↘	7: 10.2 ↗		
3: 10.4 ↗	8: 10.4 ↖	Total	98
4: 9.9 ↑	9: 10.5x ↗		
5: 10.6x ↗	10: 10.3 ←		

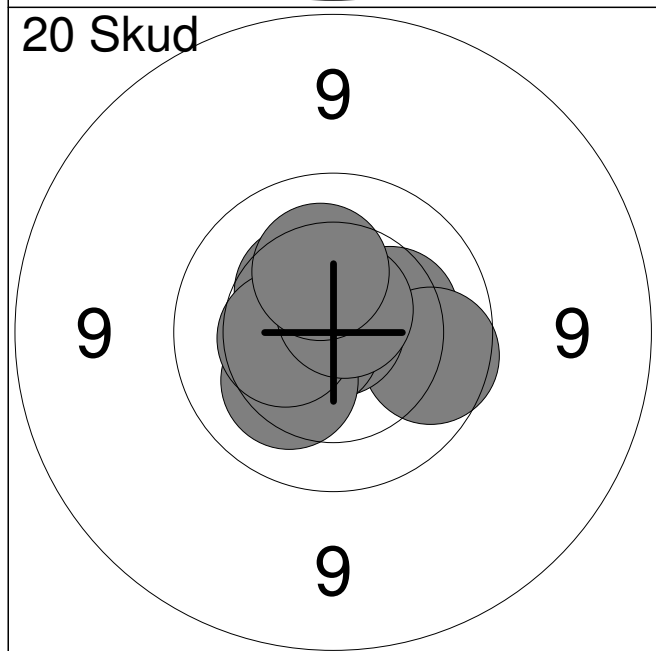
11: 10.2 ↓	16: 10.0 ↑	Serie	100
12: 10.2 ←	17: 10.1 ↖		
13: 10.0 ↓	18: 10.4 ↑	Total	198
14: 10.0 ↗	19: 10.5x ←		
15: 10.5 →	20: 10.2 ↖		



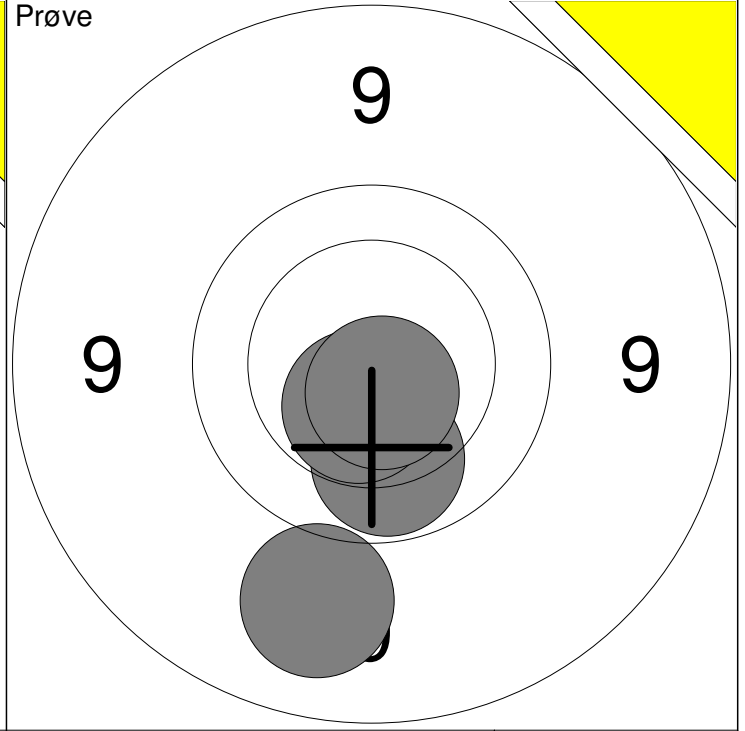
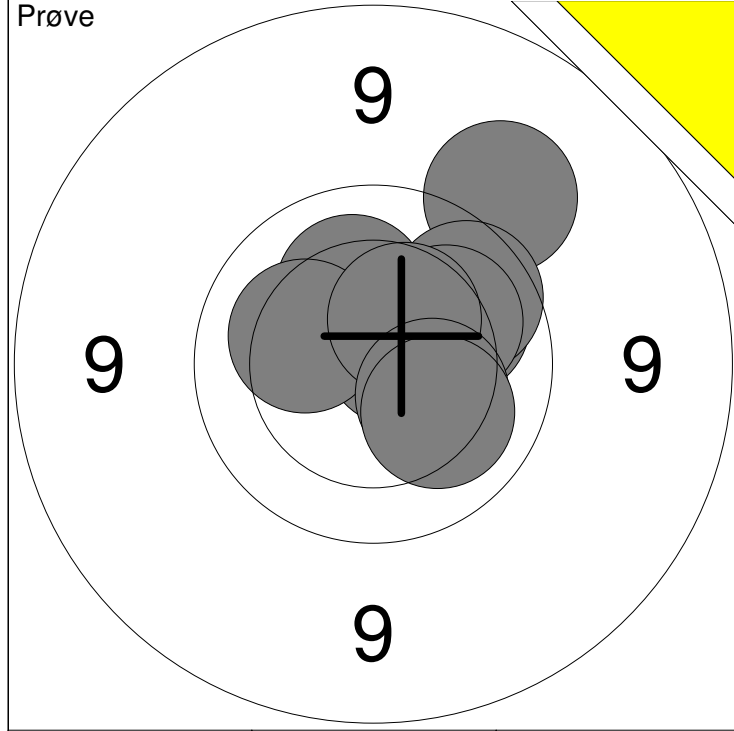
1:	10.1	↙
2:	10.5	↑
3:	9.8	←
4:	10.2	↘
5:	10.7x	←
6:	10.2	↑
Serie		59
Total		0



1:	10.4	→
2:	10.5x	↗
3:	10.6x	→
4:	10.3	↗
5:	10.3	←
6:	10.6x	→
7:	10.6x	↗
8:	10.2	↗
9:	9.9	←
10:	10.5x	↑
Serie		99
Total		99

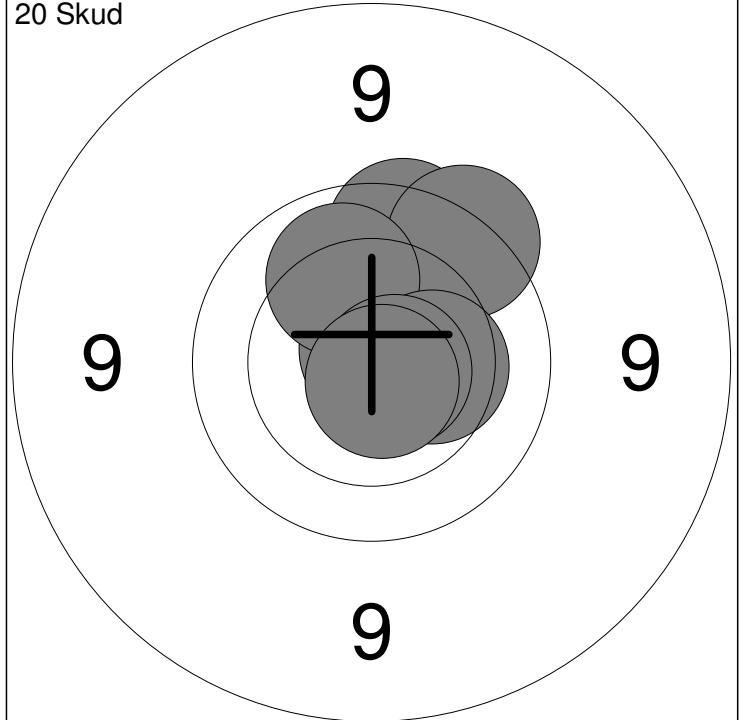
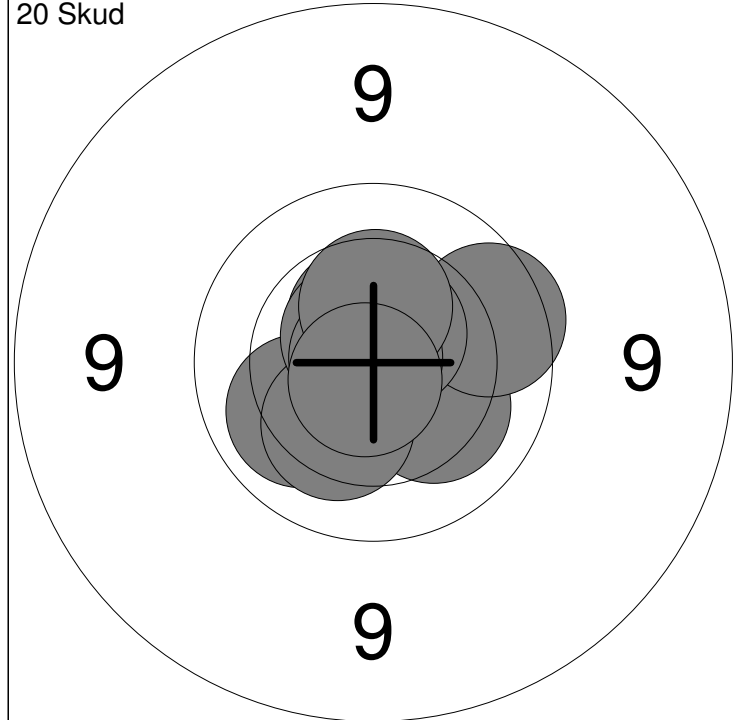


11:	10.3	→
12:	9.9	→
13:	10.9x	↗
14:	10.4	↗
15:	10.8x	↑
16:	10.7x	←
17:	10.2	↘
18:	10.4	←
19:	10.7x	↗
20:	10.3	↑
Serie		99
Total		198



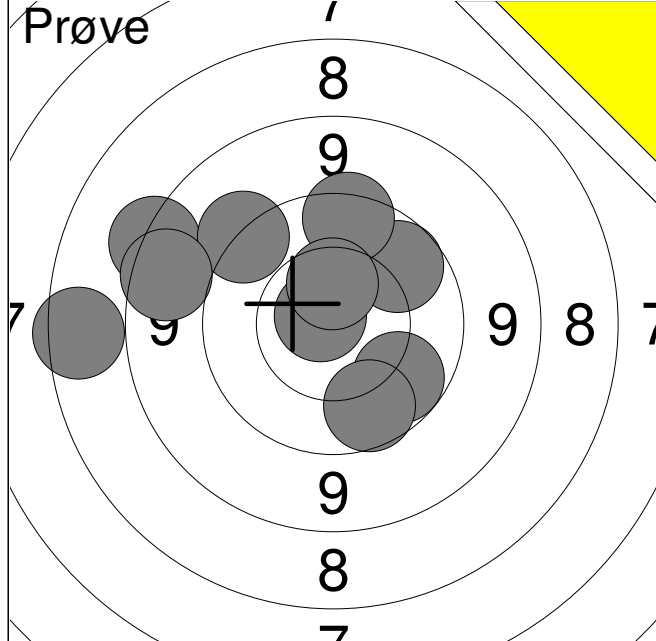
1: 9.4 ↗	6: 10.2 ↑	Serie 98
2: 10.1 →	7: 10.2 ←	
3: 10.7x →	8: 10.4 ↗	Total 0
4: 9.9 ↗	9: 10.3 ↘	
5: 10.1 ↗	10: 10.2 ↘	

11: 10.0 ↓	Serie 39
12: 9.2 ↓	
13: 10.5x ↓	Total 0
14: 10.6x ↓	

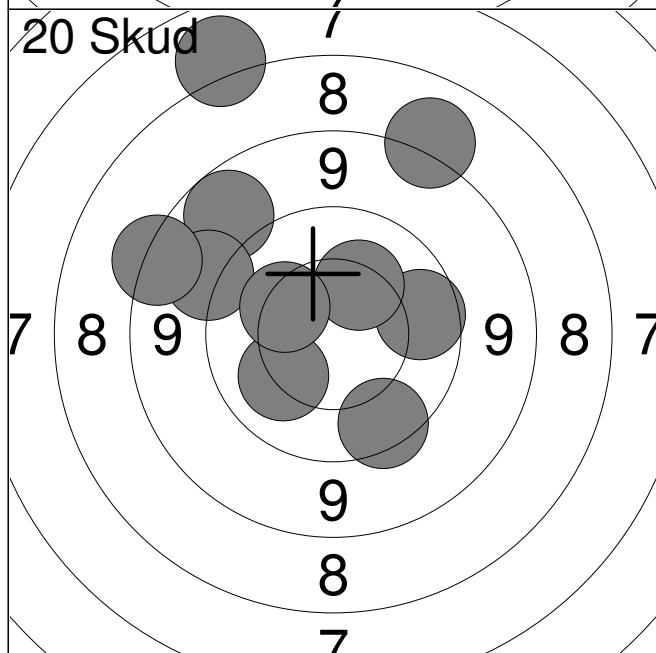


1: 10.2 ↘	6: 10.7x ↗	Serie 99
2: 10.1 ←	7: 10.6x ↗	
3: 10.3 ↓	8: 10.9x ←	Total 99
4: 10.5x ↑	9: 10.4 ↑	
5: 9.8 →	10: 10.8x ↓	

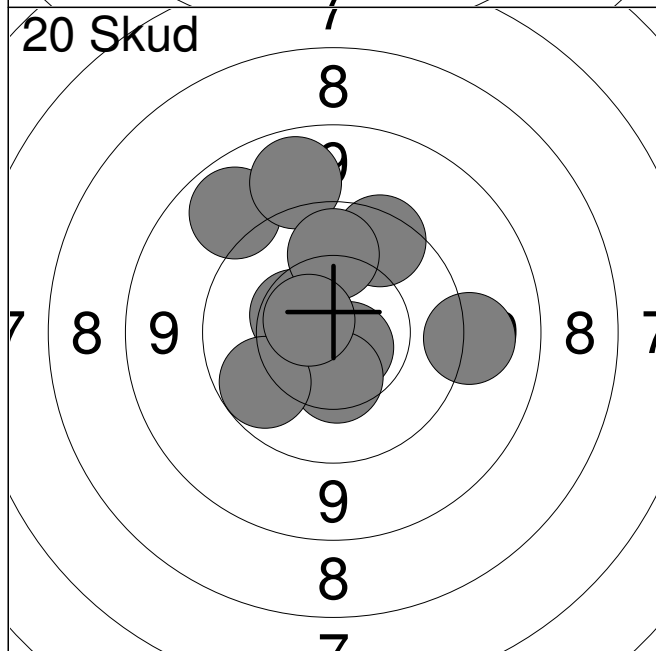
11: 10.4 ↑	16: 9.7 ↗	Serie 98
12: 9.8 ↑	17: 10.1 ↗	
13: 10.5 ↗	18: 10.4 →	Total 197
14: 10.8x ↑	19: 10.7x ↘	
15: 10.6x ↑	20: 10.7x ↓	



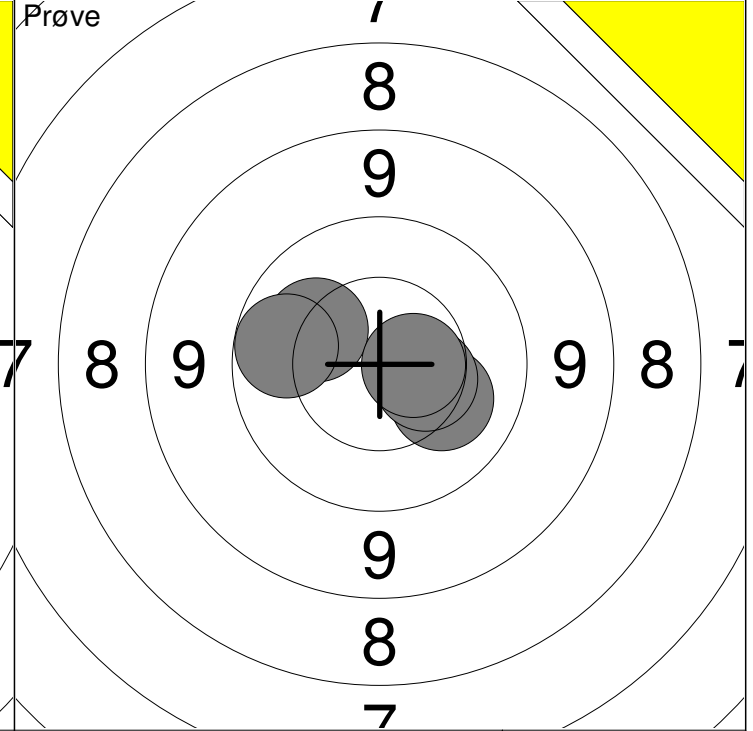
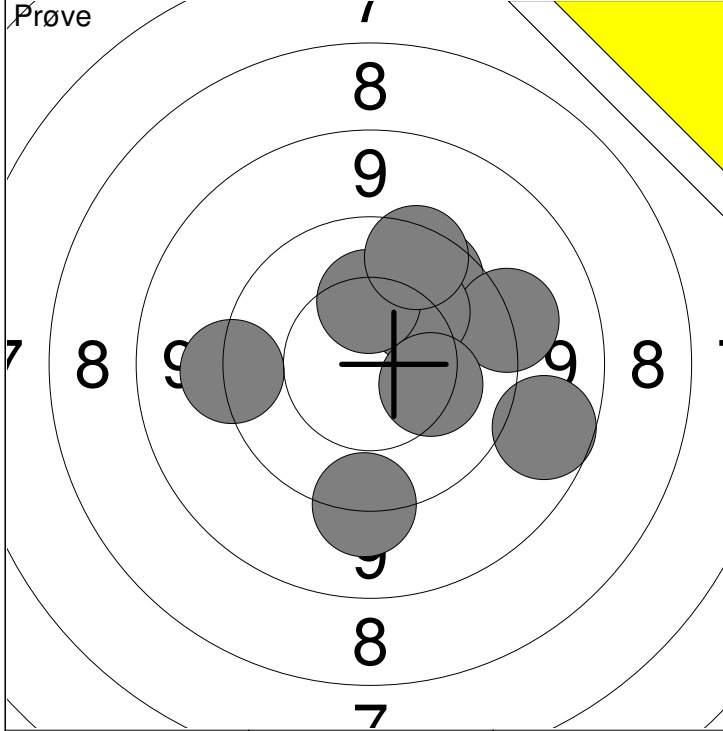
1:	7.7	←
2:	10.0	↘
3:	8.5	↗
4:	9.9	↗
5:	10.8x	↗
6:	9.4	↗
7:	9.7	↑
8:	10.5	↑
9:	8.8	←
10:	9.9	↘
Serie		89
Total		0



1:	9.9	→
2:	9.0	↗
3:	9.7	↘
4:	9.2	↗
5:	8.2	↗
6:	10.2	↘
7:	10.3	↗
8:	10.3	↗
9:	7.1	↗
10:	8.5	←
Serie		89
Total		89

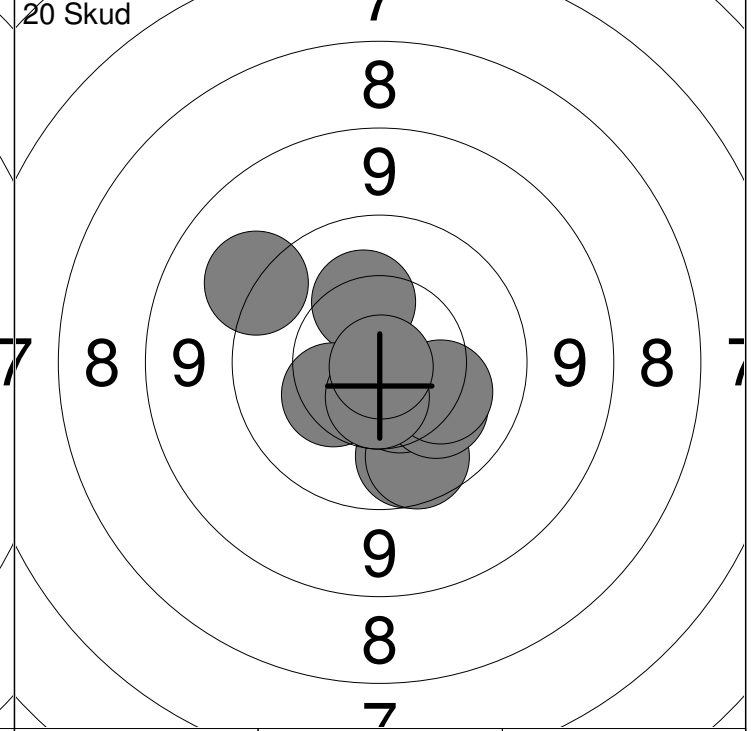
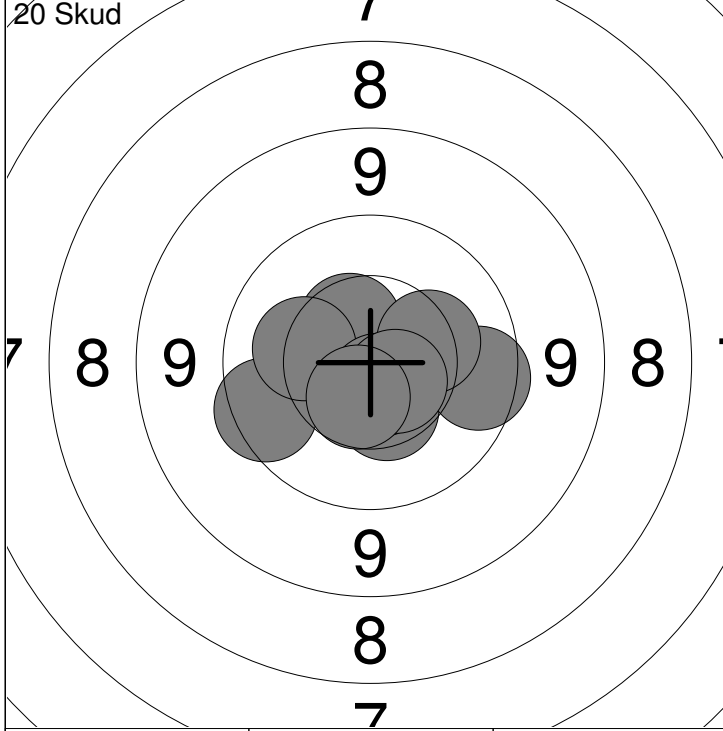


11:	9.0	↗
12:	10.7x	↘
13:	9.3	→
14:	10.4	↘
15:	10.5	↗
16:	9.0	↗
17:	9.7	↗
18:	10.0	↑
19:	10.0	↘
20:	10.6x	↖
Serie		96
Total		185



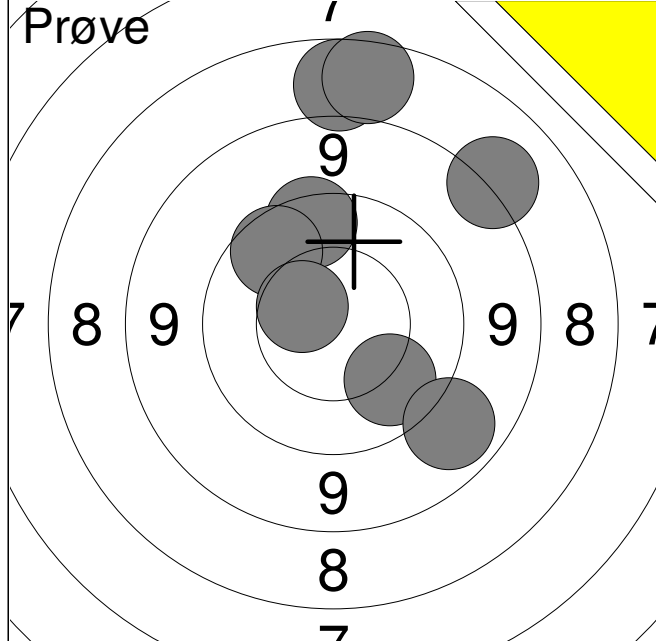
1: 9.5 ←	6: 9.4 →	Serie 93
2: 9.4 ↓	7: 10.2 ↗	
3: 9.8 ↗	8: 10.3 ↑	Total 0
4: 8.9 →	9: 9.7 ↗	
5: 10.1 ↗	10: 10.3 →	

11: 10.2 →	Serie 50
12: 10.4 →	
13: 10.2 ↗	Total 0
14: 10.6x →	
15: 10.0 ←	

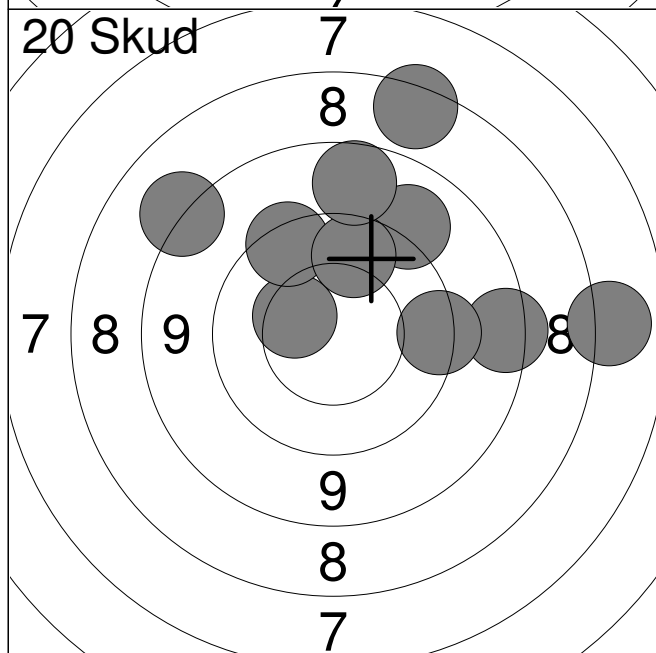


1: 9.7 ←	6: 9.8 →	Serie 98
2: 10.4 ↓	7: 10.7x ↓	
3: 10.7x ↗	8: 10.3 →	Total 98
4: 10.5 ↗	9: 10.6x →	
5: 10.2 ←	10: 10.6 ↓	

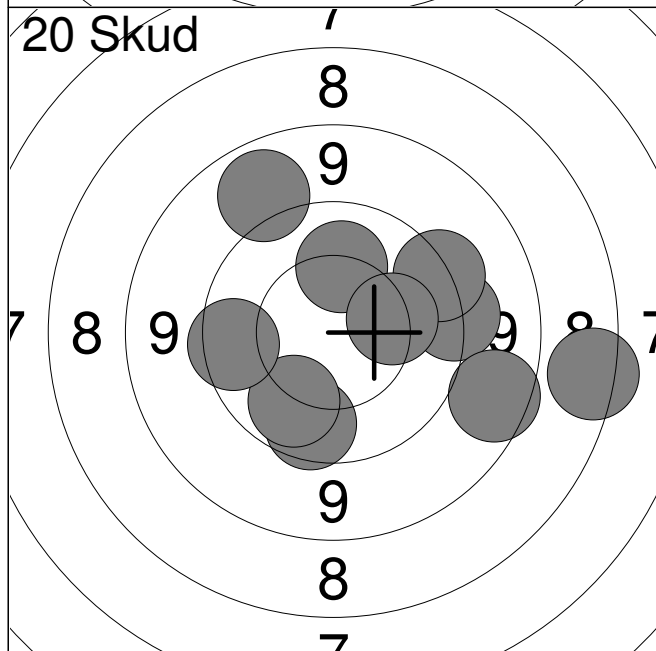
11: 9.9 ↓	16: 10.5 ↓	Serie 97
12: 9.9 ↓	17: 10.2 ↓	
13: 10.3 ↗	18: 10.2 →	Total 195
14: 9.4 ↗	19: 10.6x ↓	
15: 10.4 ↙	20: 10.9x ↓	



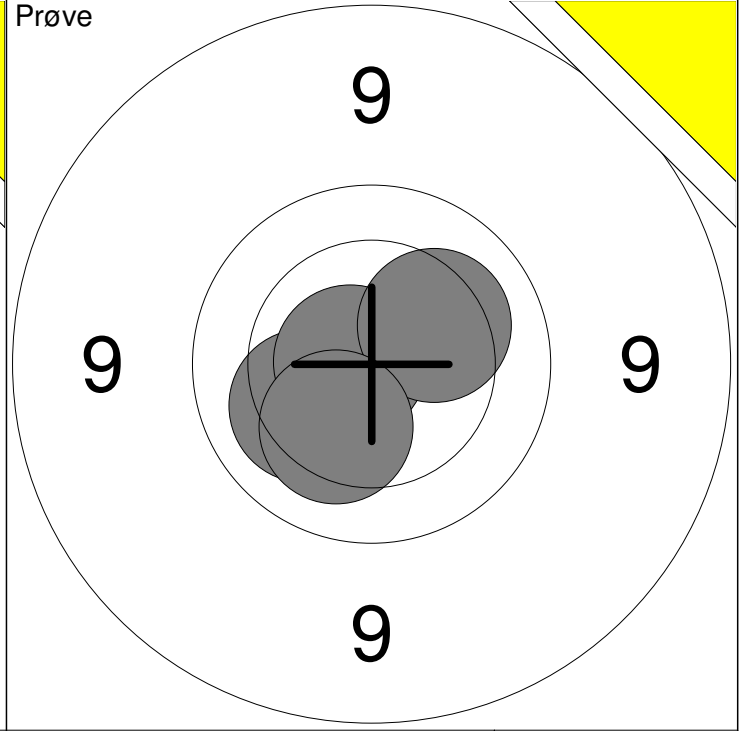
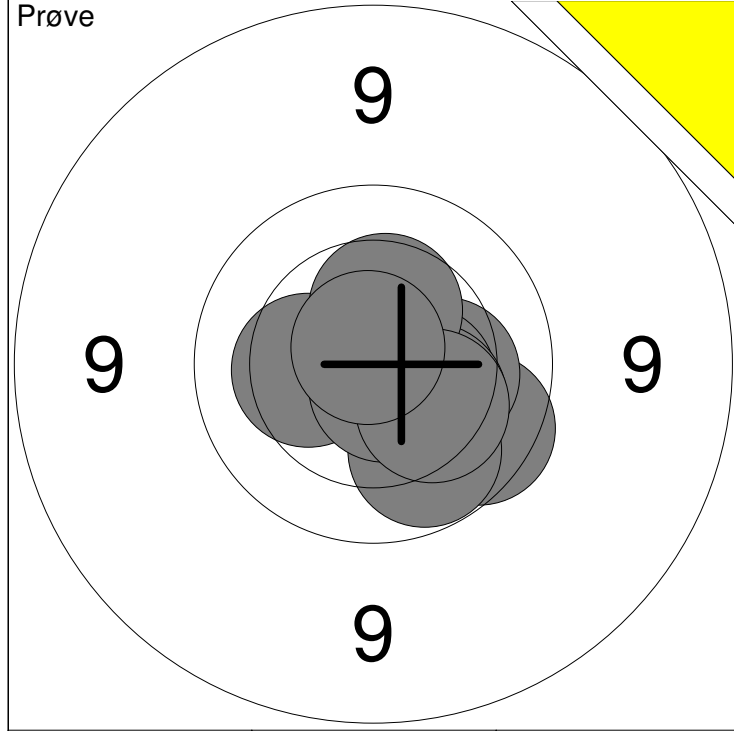
1:	9.7	↑
2:	8.3	↗
3:	9.9	↗
4:	10.0	↘
5:	7.9	↑
6:	9.1	↘
7:	7.8	↑
8:	10.5	↖
Serie		69
Total		0



1:	7.6	↑
2:	10.4	↖
3:	7.2	→
4:	9.2	↗
5:	9.6	↗
6:	9.9	↑
7:	8.6	→
8:	9.6	→
9:	8.9	↑
10:	8.3	↖
Serie		84
Total		84

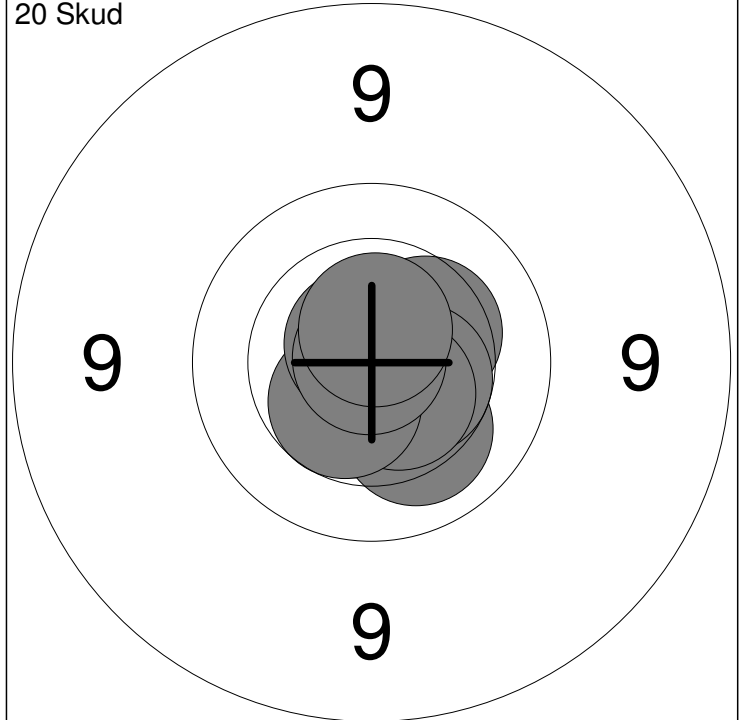
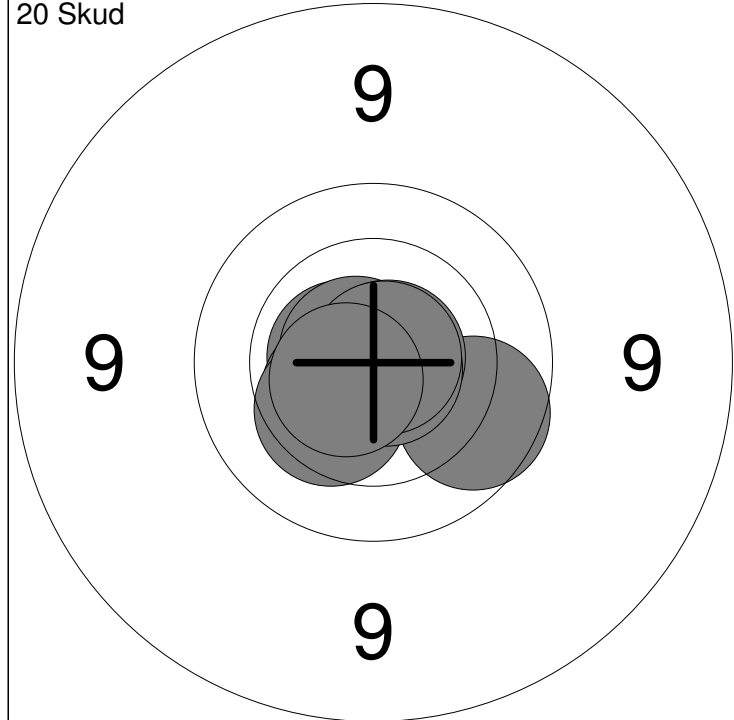


11:	7.6	→
12:	9.8	↘
13:	9.5	→
14:	9.5	↗
15:	9.1	↗
16:	10.2	↑
17:	8.8	↘
18:	10.0	↘
19:	10.2	→
20:	9.7	←
Serie		90
Total		174



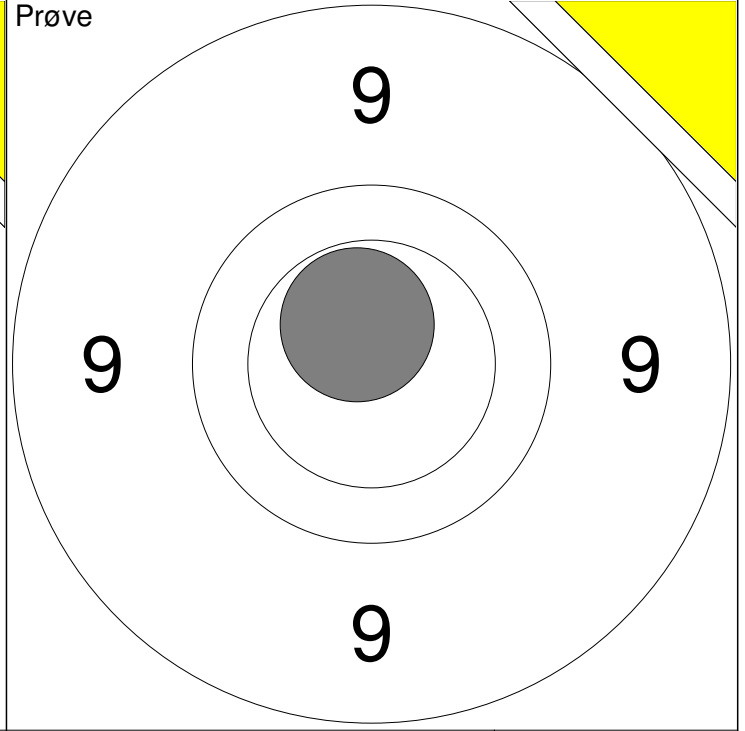
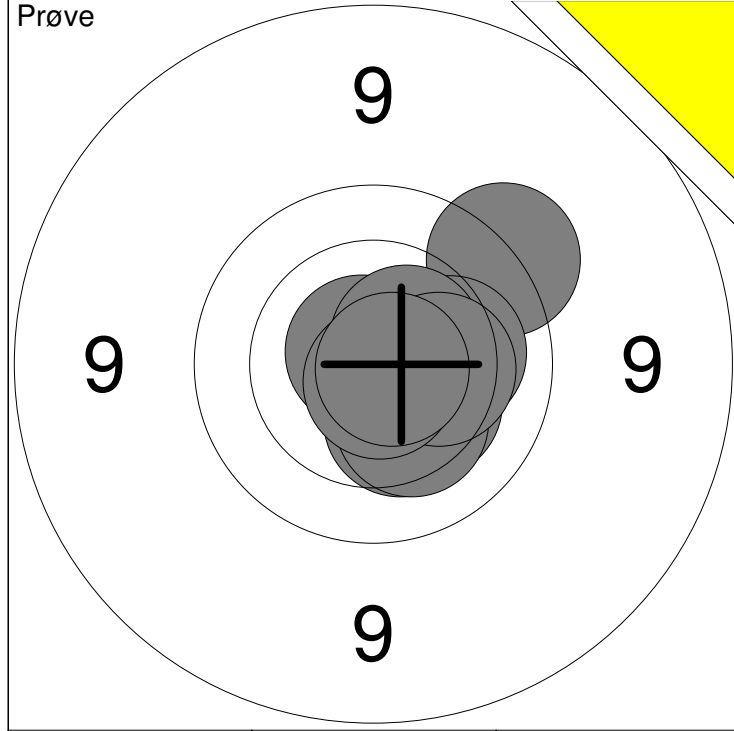
1: 10.3 ←	6: 10.3 ↘	Serie	99
2: 9.8 ↘	7: 10.4 ↑		
3: 10.3 →	8: 10.7x ↘	Total	0
4: 10.0 ↘	9: 10.2 ↘		
5: 10.5 ↘	10: 10.8x ↑		

11: 10.2 ↙	Serie	40
12: 10.7x ←		
13: 10.2 ↗	Total	0
14: 10.2 ↘		



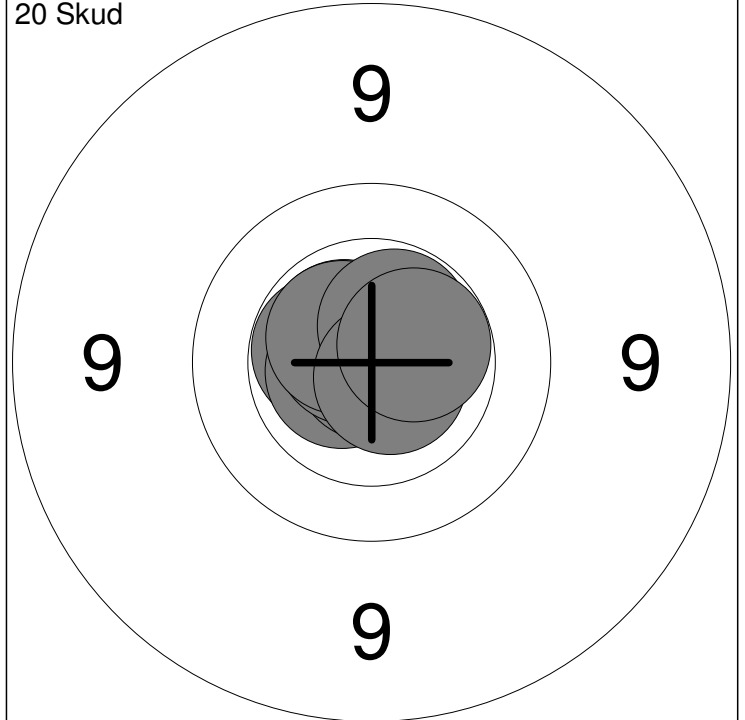
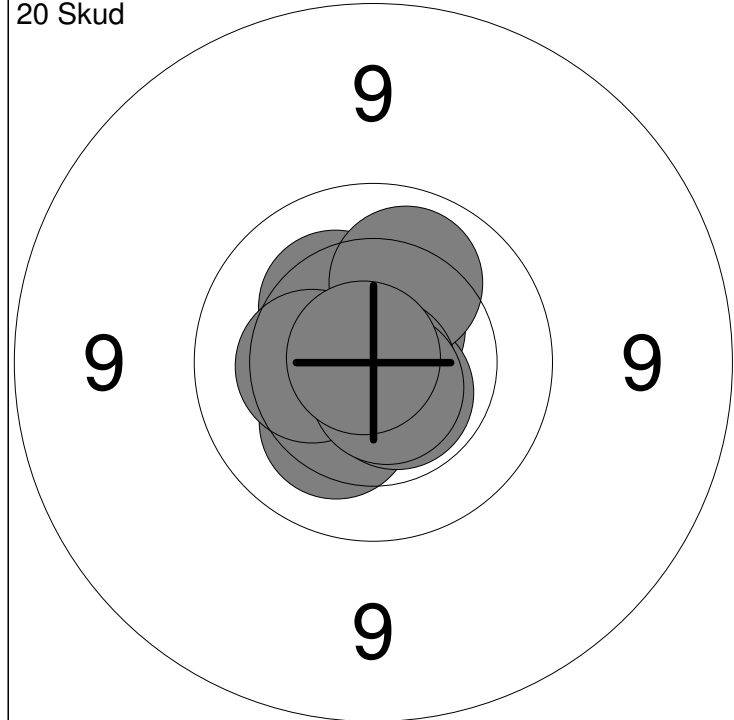
1: 10.8x →	6: 9.9 ↘	Serie	99
2: 10.7x ←	7: 10.8x →		
3: 10.8x ↗	8: 10.8x ↘	Total	99
4: 10.5 ↘	9: 10.8x →		
5: 10.3 ↘	10: 10.6x ←		

11: 10.5x ↘	16: 10.5x ↘	Serie	100
12: 10.2 ↘	17: 10.5 ↘		
13: 10.9x →	18: 10.7x ↗	Total	199
14: 10.3 ↗	19: 10.9x ↗		
15: 10.5x →	20: 10.6x ↑		



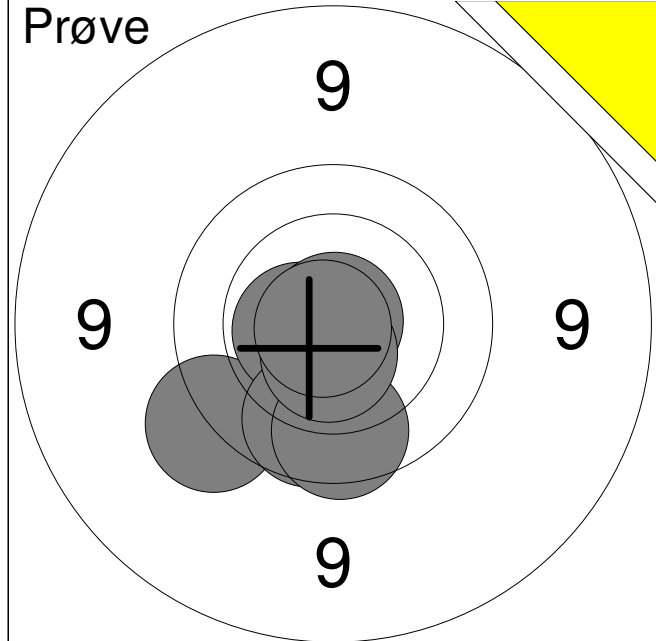
1: 9.6 ↗	6: 10.3 ↓	Serie	99
2: 10.8x ↗	7: 10.6x ↗		
3: 10.2 →	8: 10.3 →	Total	0
4: 10.3 ↓	9: 10.8x ↓		
5: 10.3 ↓	10: 10.8x ↓		

11: 10.5x ↗	Serie	10
	Total	0

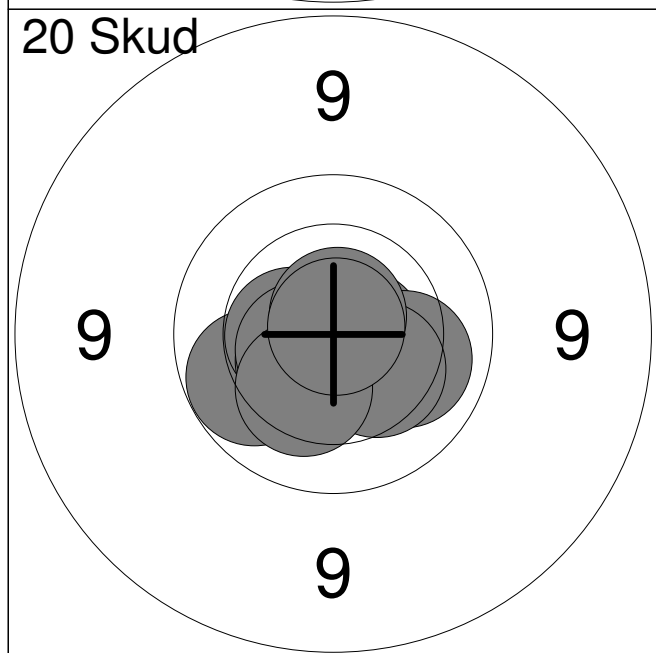


1: 10.4 ↑	6: 10.6x ↓	Serie	100
2: 10.6x ↗	7: 10.1 ↗		
3: 10.3 ↗	8: 10.8x ↓	Total	100
4: 10.3 ↓	9: 10.7x ↓		
5: 10.4 ←	10: 10.8x ↖		

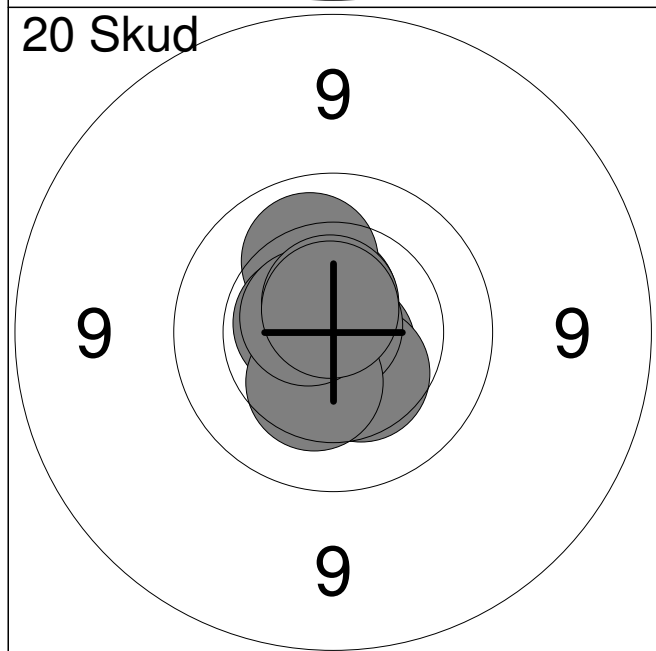
11: 10.5x ↖	16: 10.7x ↖	Serie	100
12: 10.6x ↖	17: 10.6x ↖		
13: 10.6x ←	18: 10.5x ↗	Total	200
14: 10.9x ↓	19: 10.7x ↓		
15: 10.6x ↗	20: 10.5x ↗		



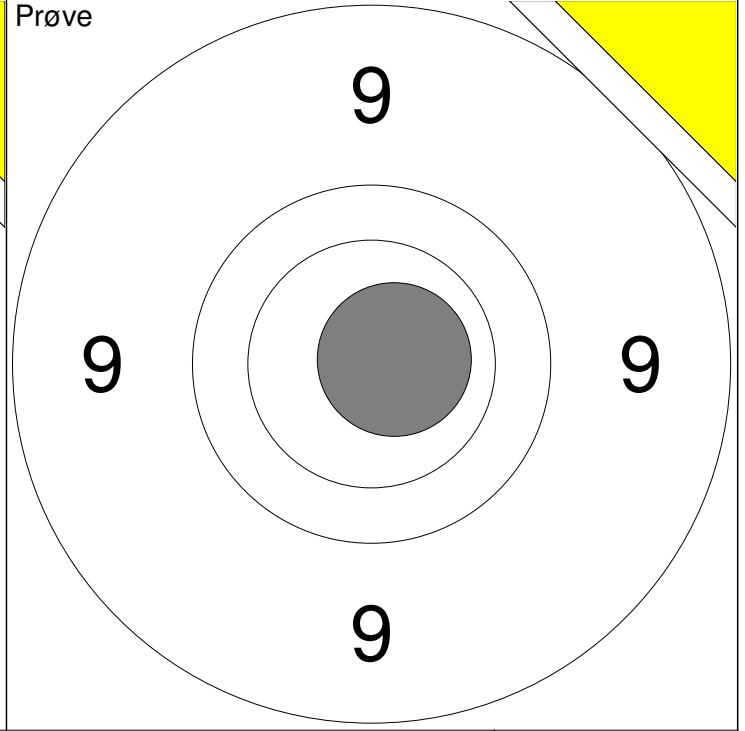
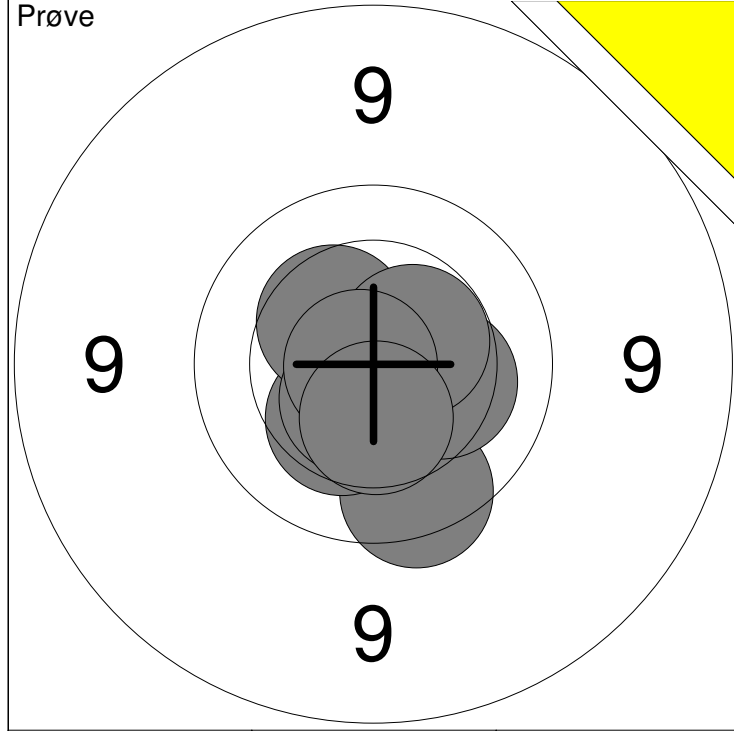
1:	9.5	↙
2:	10.6x	←
3:	10.9x	↗
4:	9.9	↓
5:	9.8	↓
6:	10.6x	↓
7:	10.8x	←
Serie		67
Total		0



1:	10.0	↙
2:	10.5x	←
3:	10.5x	↙
4:	10.6x	←
5:	10.7x	→
6:	10.1	→
7:	10.3	↘
8:	10.3	↘
9:	10.7x	↑
10:	10.9x	↑
Serie		100
Total		100

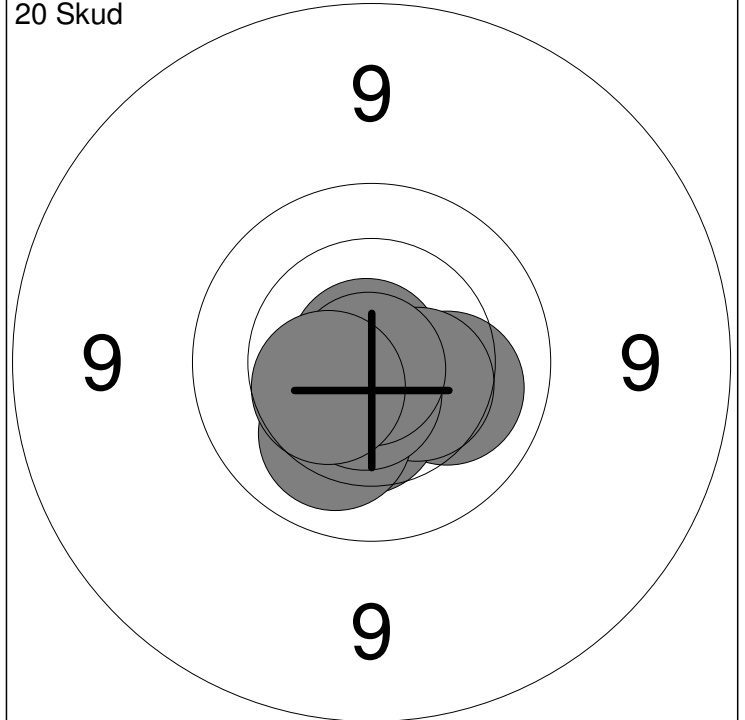
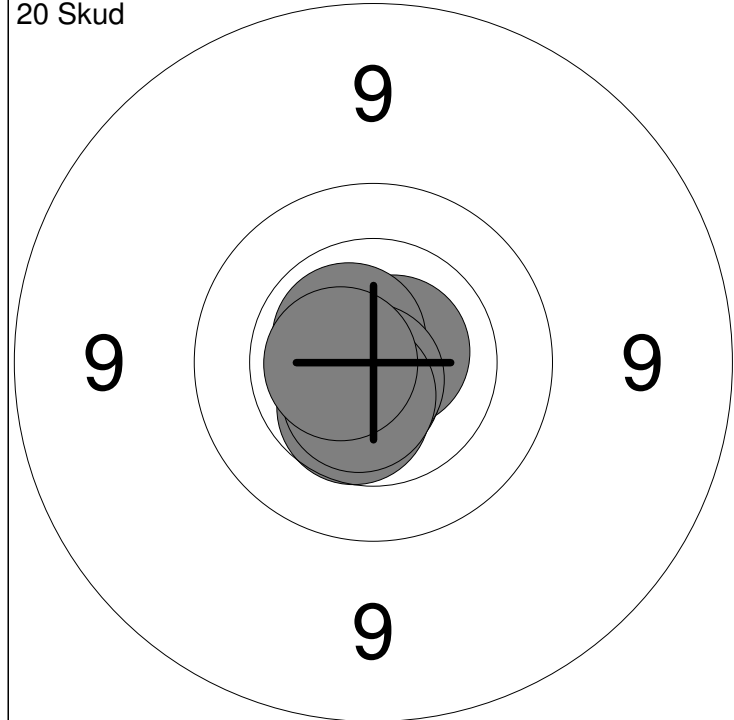


11:	10.6x	↑
12:	10.1	↑
13:	10.6x	←
14:	10.7x	↘
15:	10.4	↘
16:	10.9x	↑
17:	10.4	↓
18:	10.6x	↖
19:	10.6x	↑
20:	10.7x	↑
Serie		100
Total		200



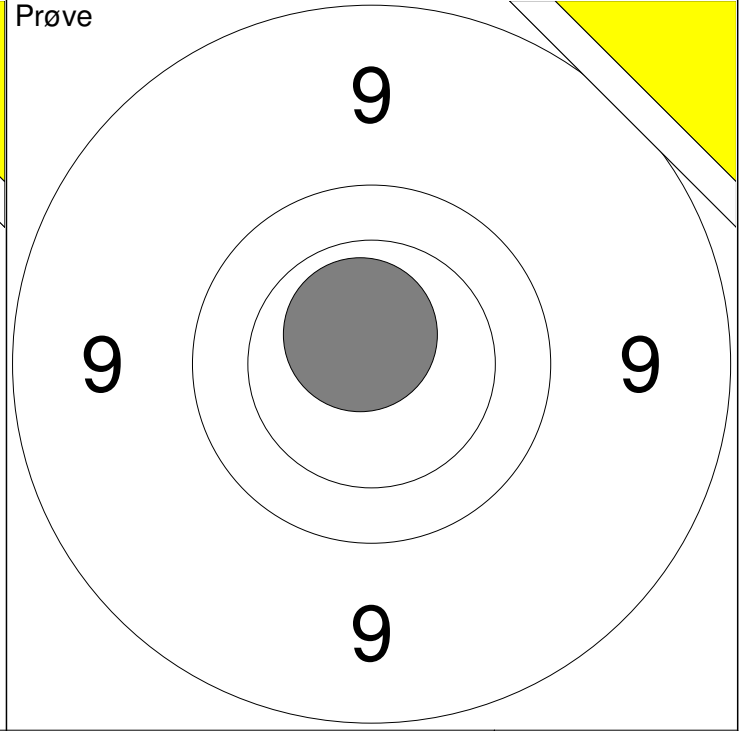
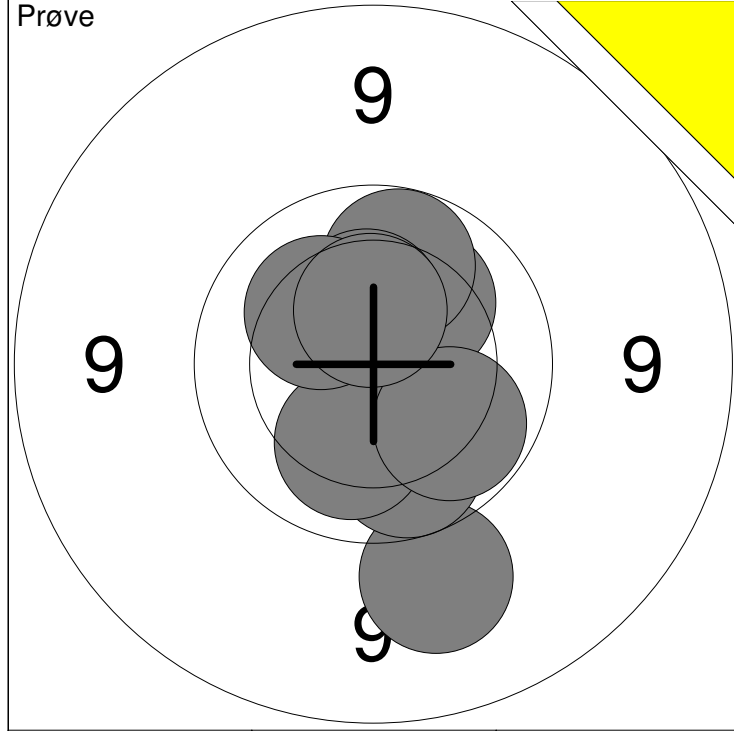
1: 9.8 ↓	6: 10.4 ↖	Serie	99
2: 10.3 →	7: 10.5x ↗		
3: 10.9x ↓	8: 10.6x ↓	Total	0
4: 10.8x ↖	9: 10.8x ←		
5: 10.3 ↓	10: 10.4 ↓		

11: 10.7x →		Serie	10
		Total	0



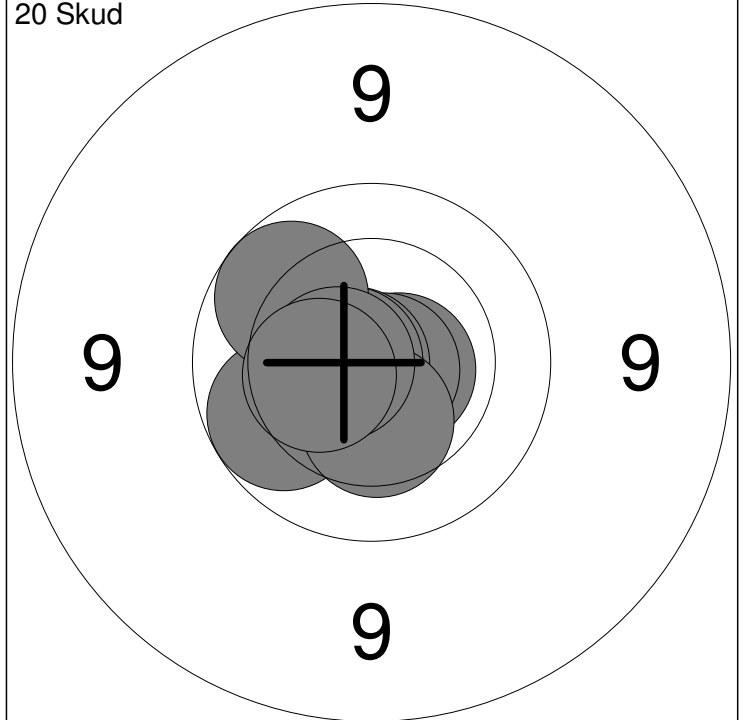
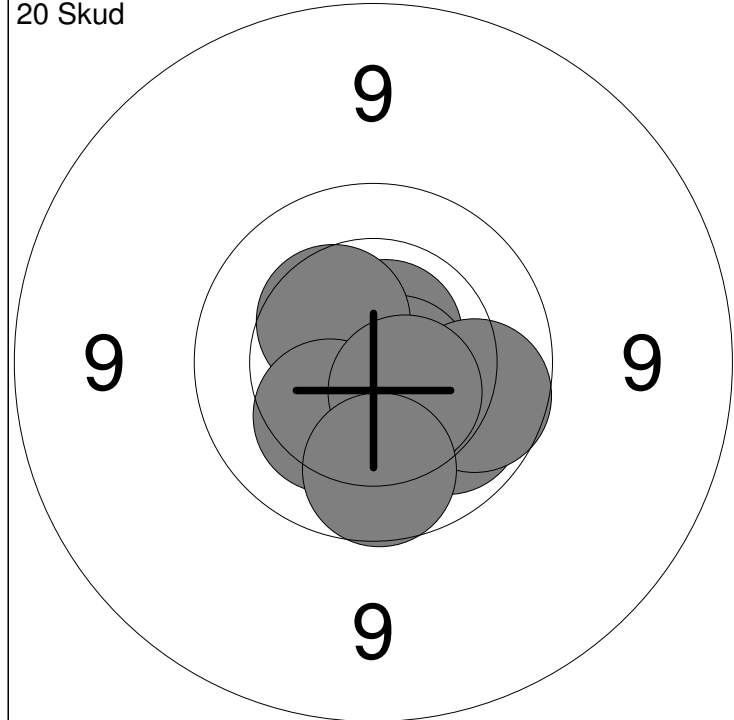
1: 10.7x ↗	6: 10.7x ↓	Serie	100
2: 10.8x ←	7: 10.6x ↖		
3: 10.7x ↙	8: 10.8x ↓	Total	100
4: 10.7x ↙	9: 10.6x ↓		
5: 10.5 ↓	10: 10.6x ←		

11: 10.9x ↖	16: 10.5 →	Serie	100
12: 10.7x ↓	17: 10.2 ↓		
13: 10.2 →	18: 10.6x ↓	Total	200
14: 10.4 ↓	19: 10.9x ↓		
15: 10.4 ↙	20: 10.5 ←		



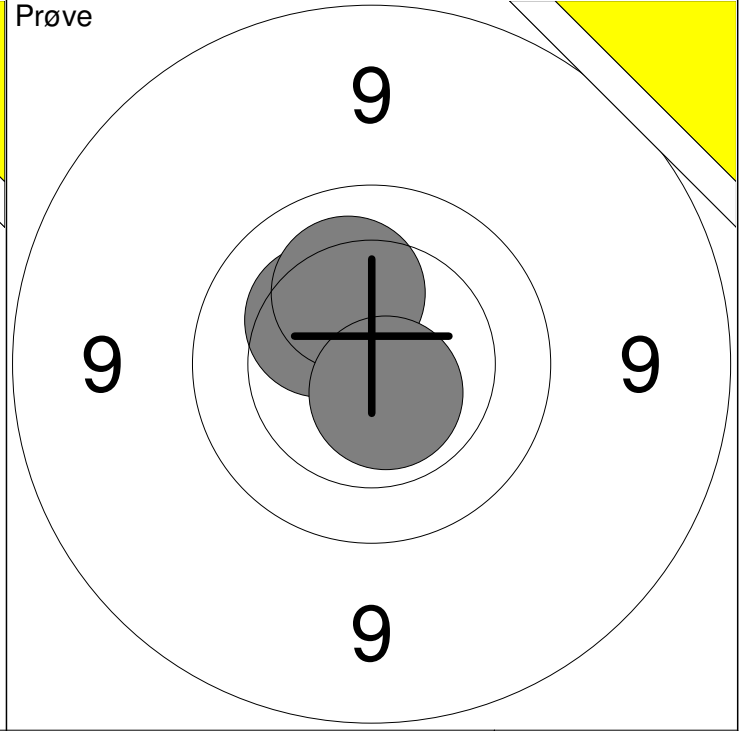
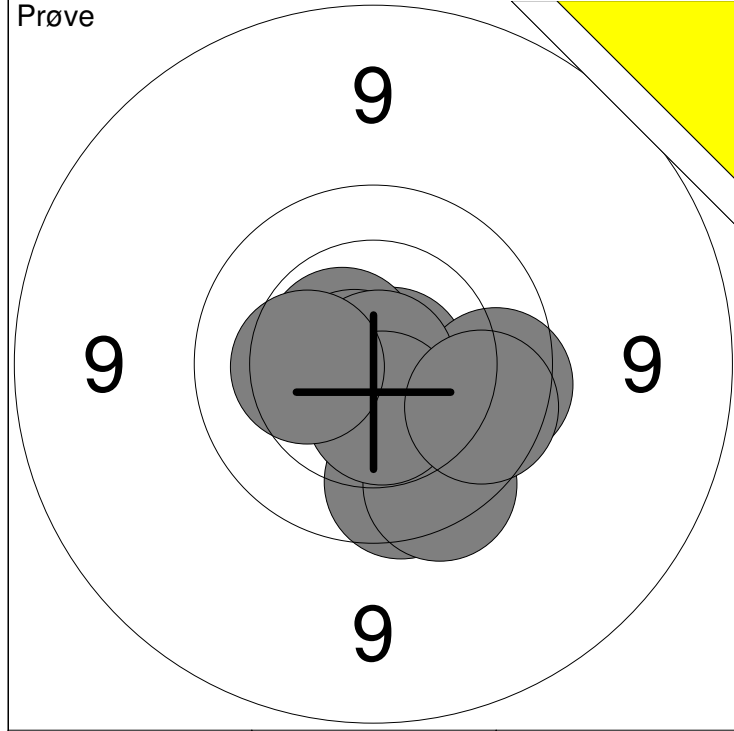
1: 9.3 ↓	6: 10.1 ↓	Serie 98
2: 10.5 ↓	7: 10.0 ↘	
3: 10.2 ↗	8: 10.4 ↑	Total 0
4: 9.9 ↓	9: 10.2 ↖	
5: 10.0 ↑	10: 10.4 ↑	

11: 10.6x ↖	Serie 10
	Total 0



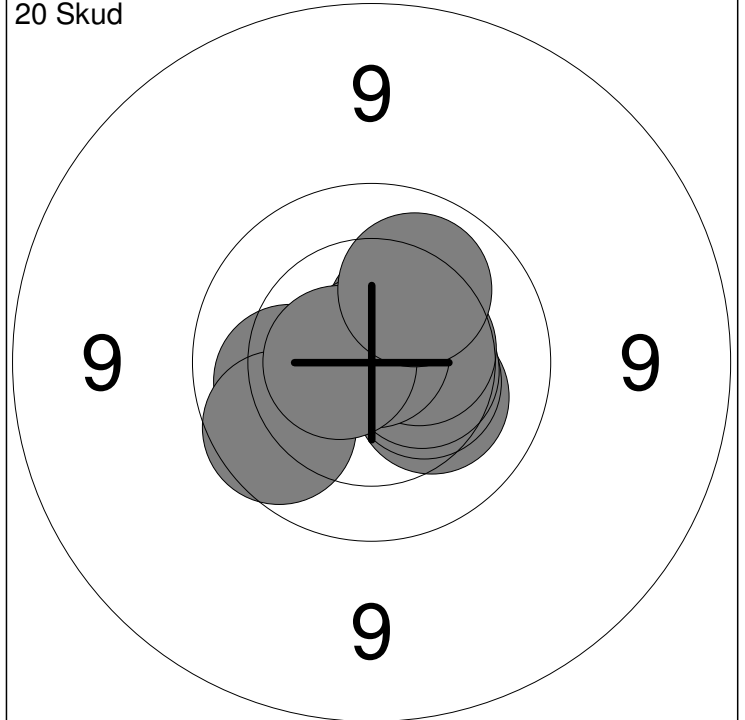
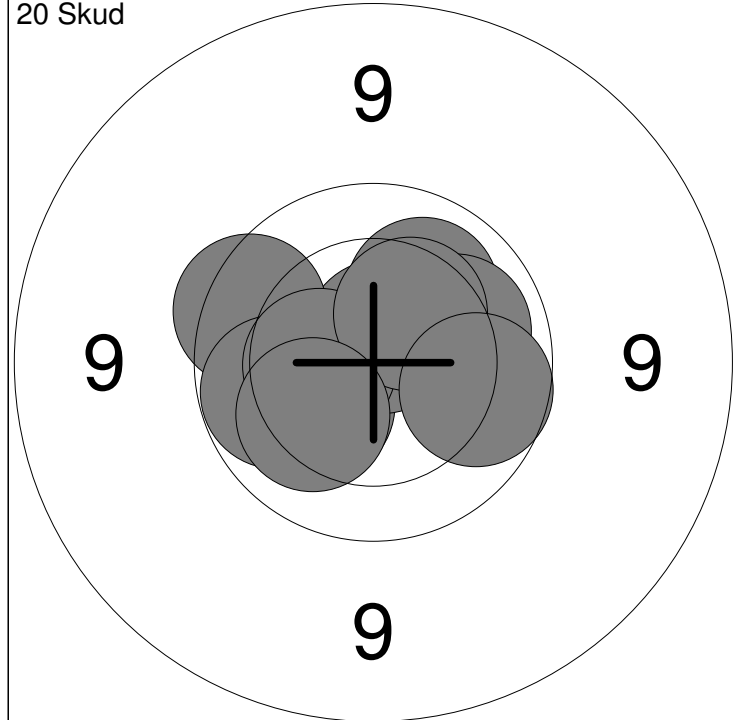
1: 10.3 ↓	6: 10.5 ↓	Serie 98
2: 10.7x ↗	7: 10.4 ↗	
3: 10.1 ↓	8: 10.3 ↓	Total 98
4: 10.7x ↘	9: 10.5x ↓	
5: 9.9 ↘	10: 9.9 ↓	

11: 10.7x →	16: 10.7x ←	Serie 99
12: 10.0 ←	17: 10.4 ↓	
13: 10.8x ↘	18: 9.9 ↖	Total 197
14: 10.8x ←	19: 10.6x ←	
15: 10.5x ←	20: 10.4 ←	



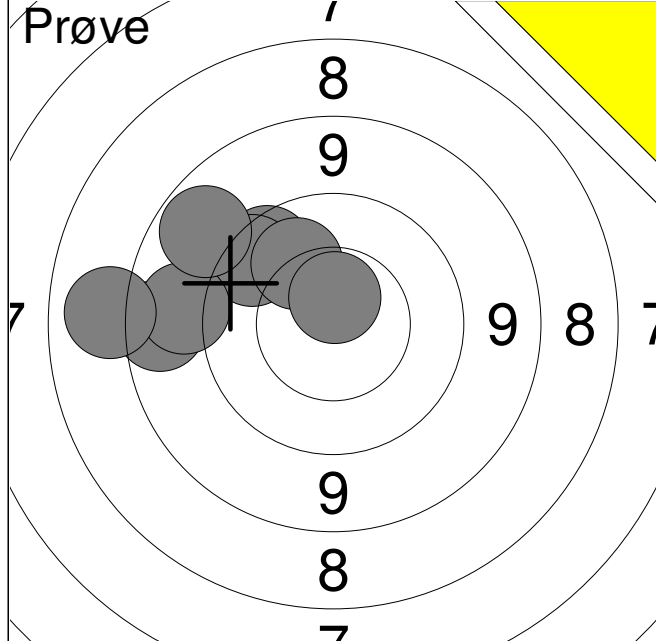
1: 10.8x →	6: 9.8 →	Serie	96
2: 10.6x ↗	7: 10.9x ↘		
3: 9.8 ↓	8: 10.5x ↓	Total	0
4: 10.8x ←	9: 9.9 →		
5: 9.8 ↓	10: 10.3 ←		

11: 10.3 ↖	Serie	30
12: 10.2 ↗		
13: 10.6x ↓	Total	0

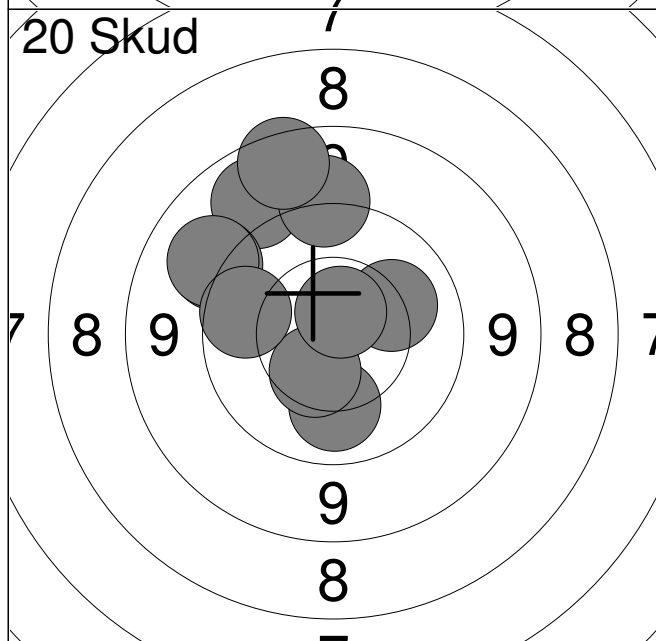


1: 10.3 ↖	6: 10.4 ←	Serie	98
2: 10.7x ↑	7: 10.1 →		
3: 9.8 ↖	8: 10.4 ↗	Total	98
4: 10.1 ↗	9: 9.9 →		
5: 10.0 ←	10: 10.2 ↘		

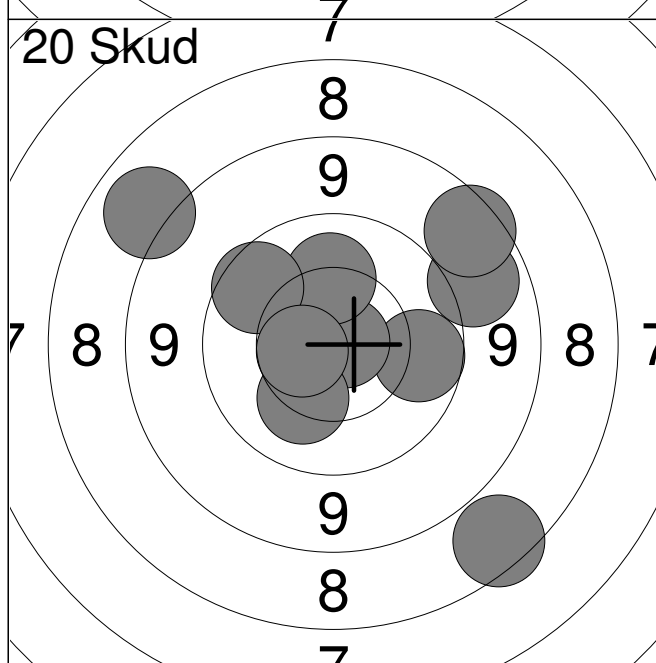
11: 10.1 ←	16: 10.5 →	Serie	99
12: 10.3 ↘	17: 9.9 ↖		
13: 10.4 →	18: 10.8x ↑	Total	197
14: 10.4 →	19: 10.6x ←		
15: 10.4 ↗	20: 10.1 ↗		



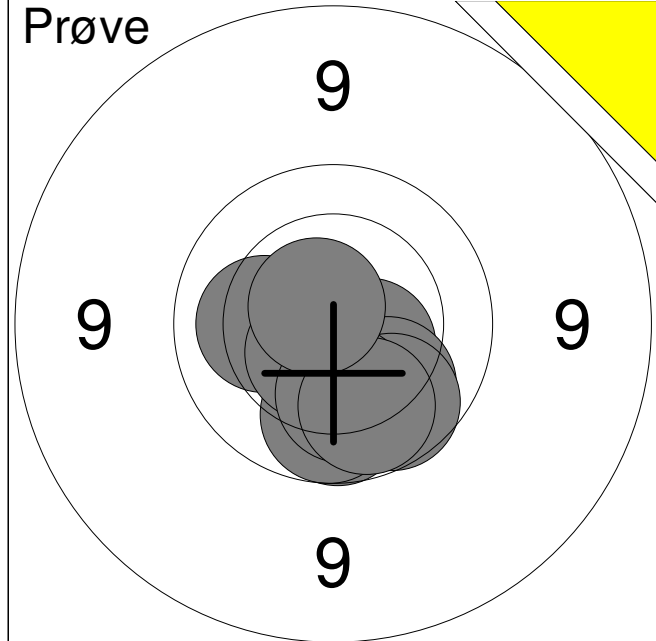
1:	9.8	↗
2:	9.7	↗
3:	10.1	↗
4:	8.8	←
5:	9.1	←
6:	8.2	←
7:	9.0	↗
8:	10.6x	↑
Serie		72
Total		0



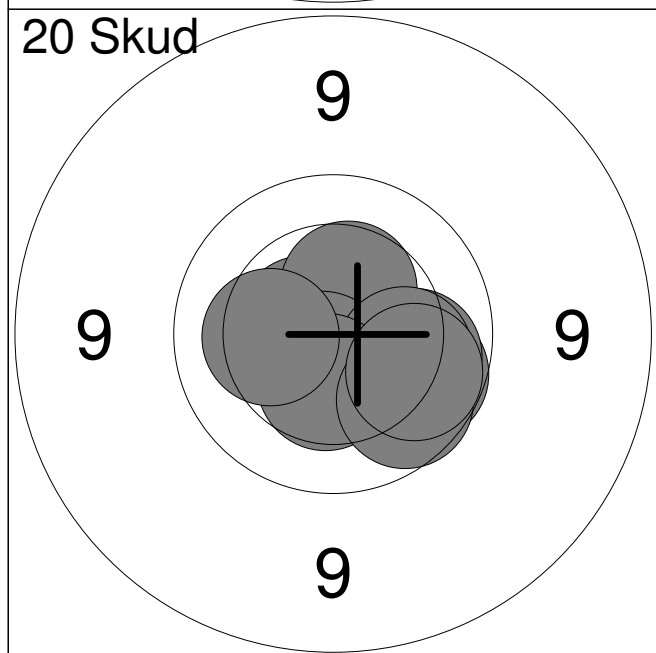
1:	10.1	↓
2:	10.5	↓
3:	9.1	↗
4:	10.2	↗
5:	9.3	↗
6:	9.2	↗
7:	9.3	↑
8:	8.7	↑
9:	9.9	←
10:	10.7x	↑
Serie		93
Total		93



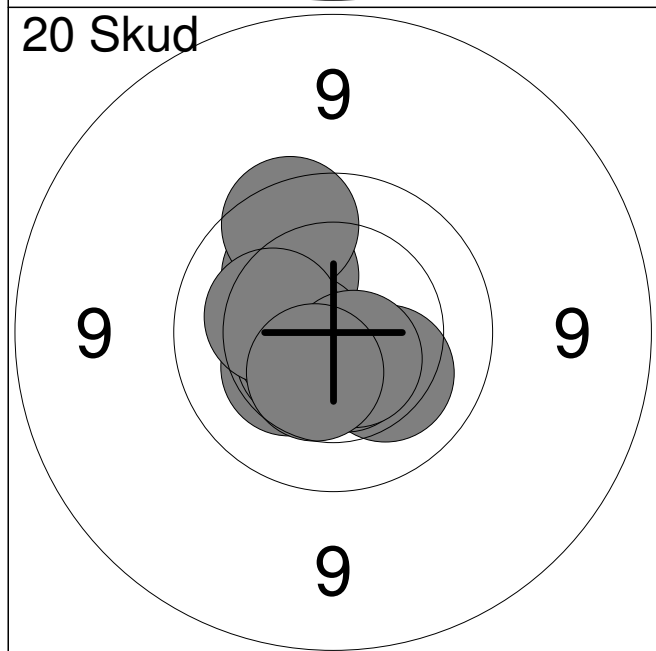
11:	9.1	↗
12:	9.9	→
13:	10.8x	→
14:	10.2	↑
15:	9.8	↗
16:	10.2	↓
17:	8.7	↗
18:	8.1	↗
19:	10.6	←
20:	7.7	↓
Serie		90
Total		183



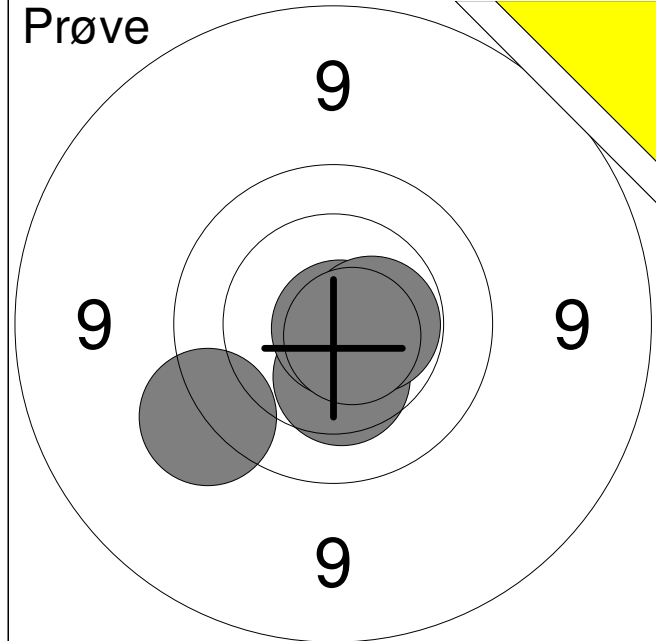
1:	9.9	↓
2:	9.9	↓
3:	10.5x	↘
4:	10.2	←
5:	10.0	↘
6:	10.6x	↘
7:	9.9	↘
8:	10.2	↓
9:	10.0	↘
10:	10.7x	↗
Serie		97
Total		0



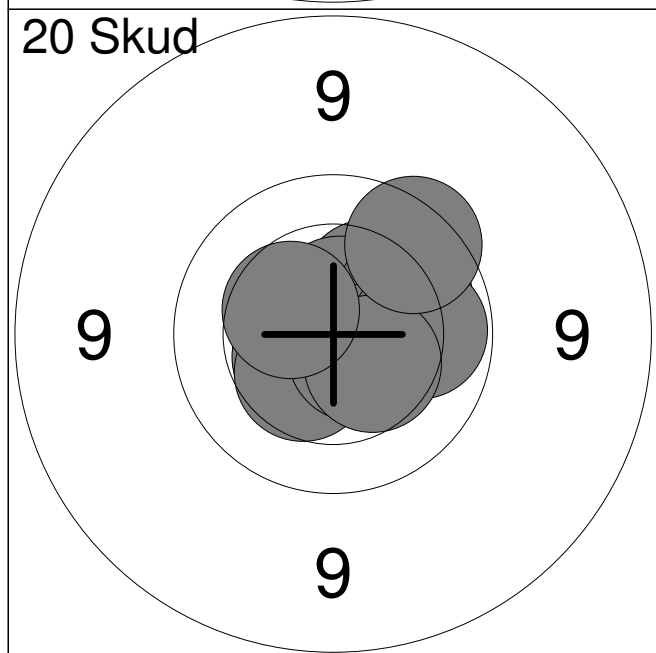
1:	9.9	↘
2:	10.6x	↖
3:	10.4	↗
4:	10.6x	↘
5:	10.0	↘
6:	10.1	↘
7:	10.4	↓
8:	10.3	←
9:	9.9	↘
10:	10.0	↘
Serie		98
Total		98



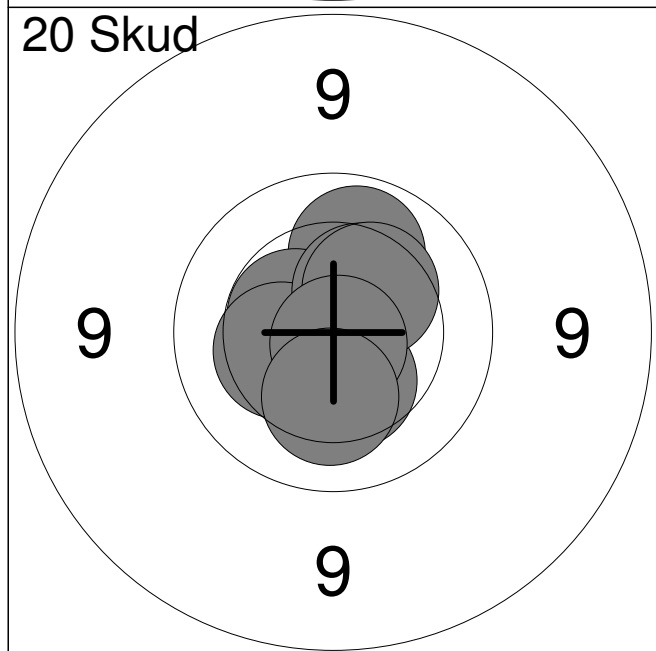
11:	10.3	↖
12:	10.2	↗
13:	10.2	↘
14:	10.5x	↖
15:	9.8	↗
16:	10.6x	←
17:	10.6x	↘
18:	10.3	↖
19:	10.6x	↘
20:	10.5	↓
Serie		99
Total		197



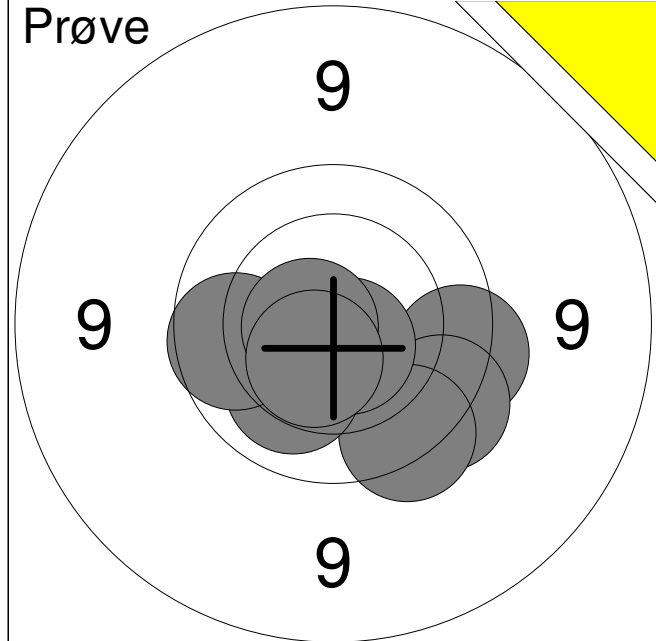
1:	9.5	↙
2:	10.4	↓
3:	10.9x	↘
4:	10.5x	→
5:	10.7x	↘
Serie		49
Total		0



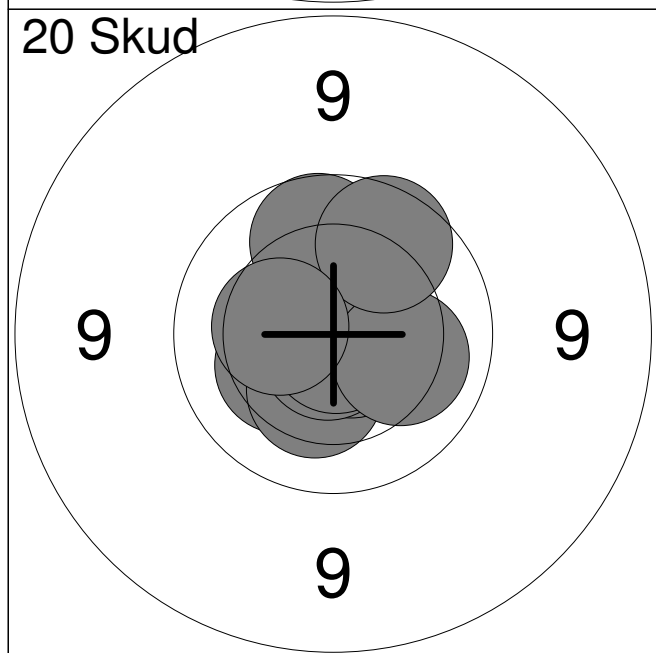
1:	10.5x	↙
2:	10.3	↗
3:	10.6x	↑
4:	10.1	→
5:	10.4	↘
6:	10.6x	↘
7:	10.0	→
8:	10.4	↘
9:	9.8	↗
10:	10.4	↖
Serie		99
Total		99



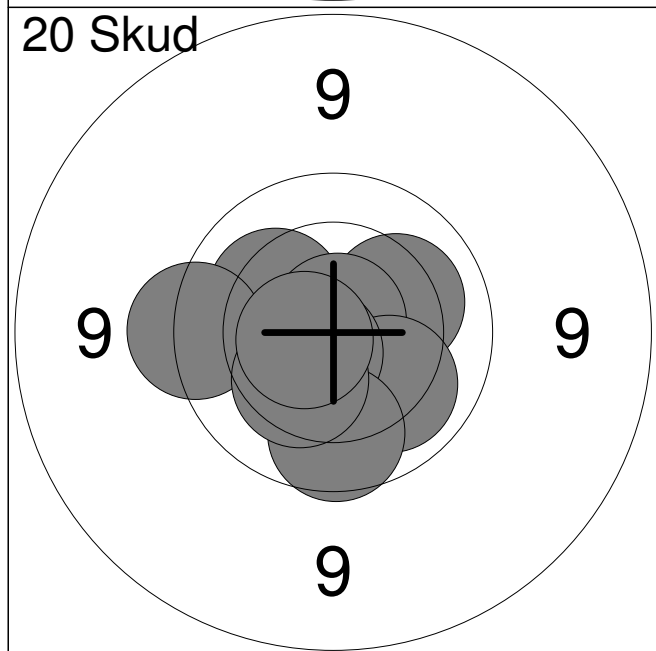
11:	10.8x	↑
12:	10.7x	↓
13:	10.1	↑
14:	10.5x	↖
15:	10.3	↖
16:	10.4	↓
17:	10.4	↗
18:	10.3	↗
19:	10.8x	↓
20:	10.2	↓
Serie		100
Total		199



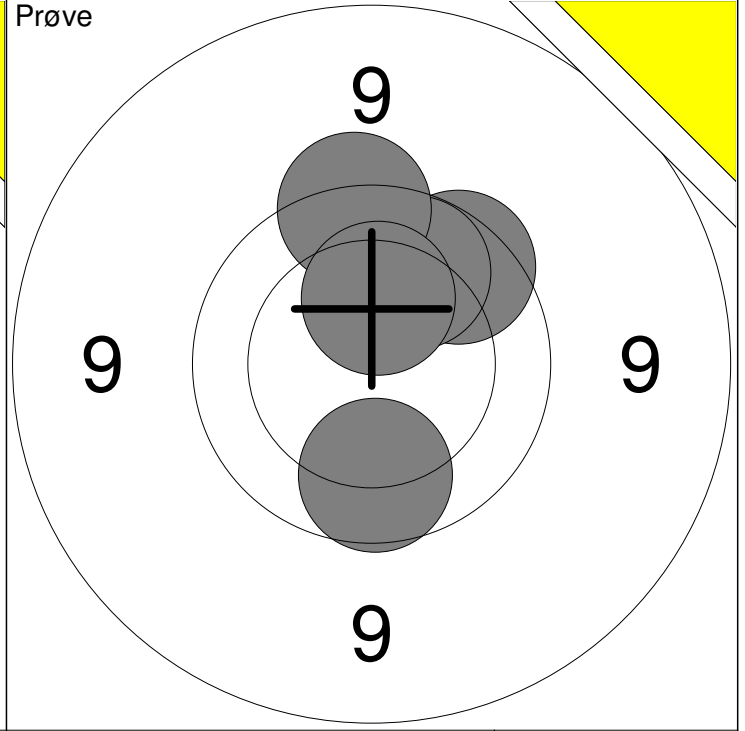
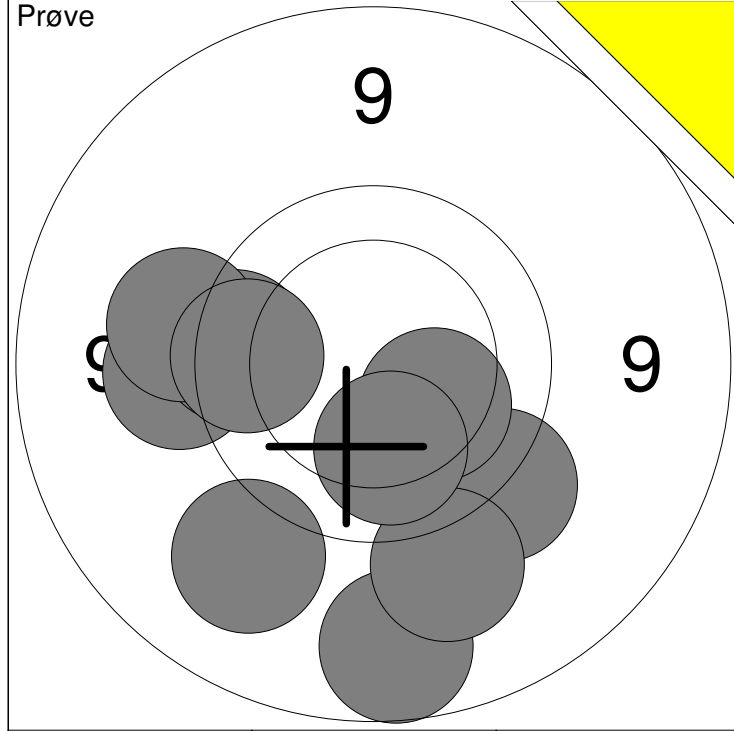
1:	9.7	→
2:	9.7	↘
3:	9.7	↘
4:	10.7x	↘
5:	10.1	↘
6:	9.9	←
7:	10.7x	←
8:	10.5x	↘
Serie		76
Total		0



1:	10.6x	↘
2:	10.3	←
3:	10.3	↘
4:	9.9	↑
5:	10.7x	↘
6:	10.8x	↘
7:	10.8x	↘
8:	10.2	→
9:	9.9	↗
10:	10.4	←
Serie		98
Total		98

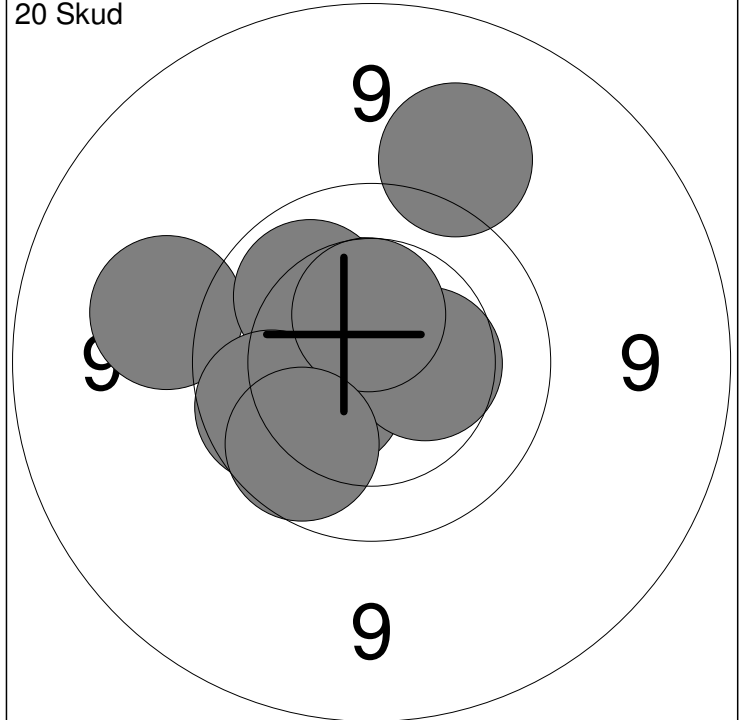
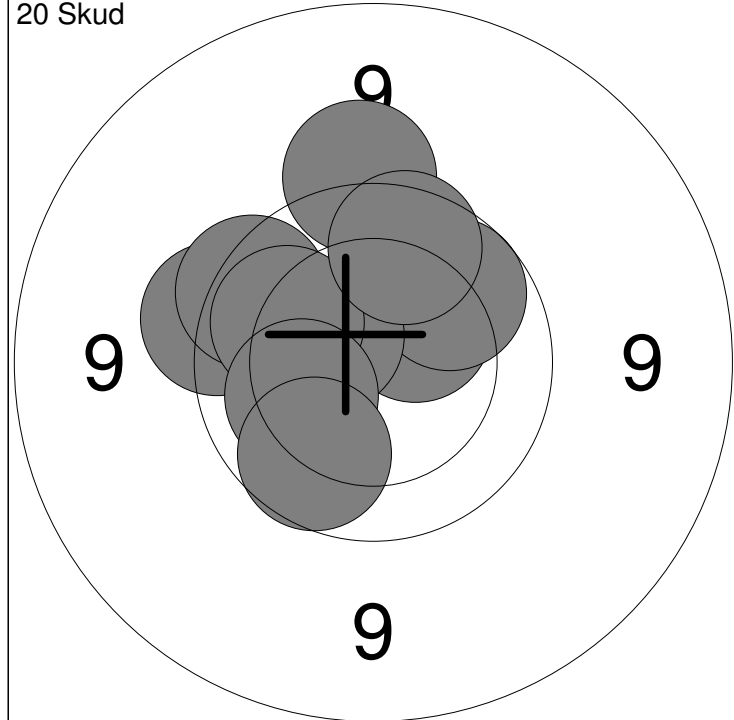


11:	10.2	↖
12:	10.2	↗
13:	10.8x	←
14:	10.8x	↗
15:	10.1	↘
16:	10.6x	↘
17:	9.7	←
18:	9.9	↓
19:	10.3	↘
20:	10.6x	←
Serie		98
Total		196



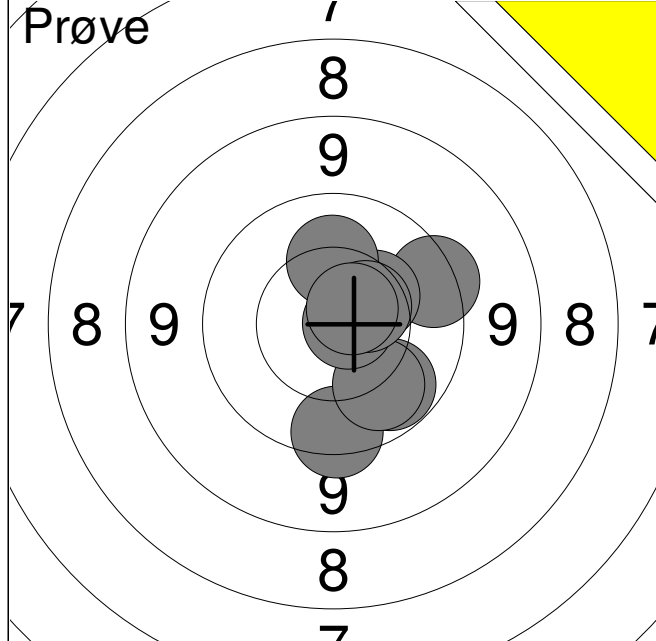
1: 9.5 ↘	6: 9.7 ←	Serie	91
2: 8.9 ↓	7: 10.2 ↘		
3: 9.3 ↓	8: 10.1 ↓	Total	0
4: 9.2 ↙	9: 9.4 ←		
5: 9.4 ←	10: 9.8 ←		

11: 9.9 ↓	Serie	47
12: 9.8 ↗		
13: 10.0 ↗	Total	0
14: 9.6 ↑		
15: 10.3 ↑		

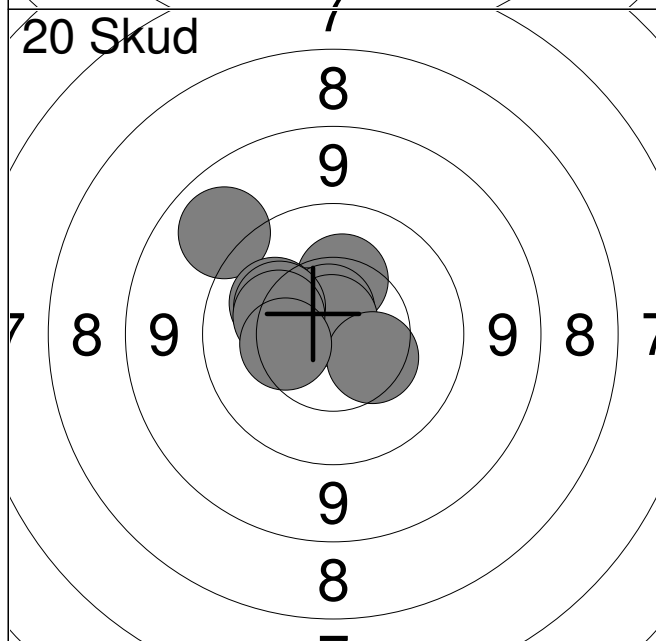


1: 9.6 ←	6: 10.4 ←	Serie	94
2: 9.7 ←	7: 10.0 ←		
3: 10.4 ↗	8: 10.2 ←	Total	94
4: 9.9 ↗	9: 9.9 ↑		
5: 9.5 ↑	10: 9.9 ↘		

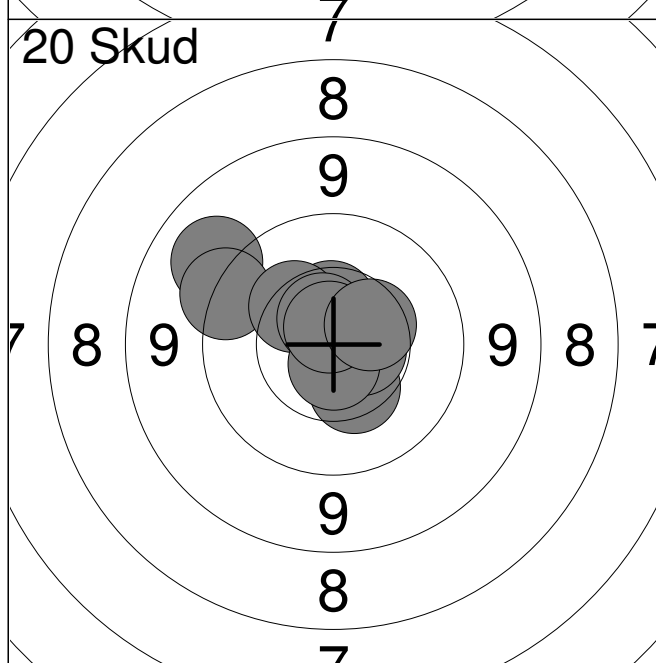
11: 10.5 ↑	16: 10.4 ↗	Serie	96
12: 10.4 ↙	17: 10.1 ↘		
13: 9.3 ↗	18: 9.9 ←	Total	190
14: 9.3 ←	19: 10.5 ↑		
15: 10.4 →	20: 9.9 ↘		



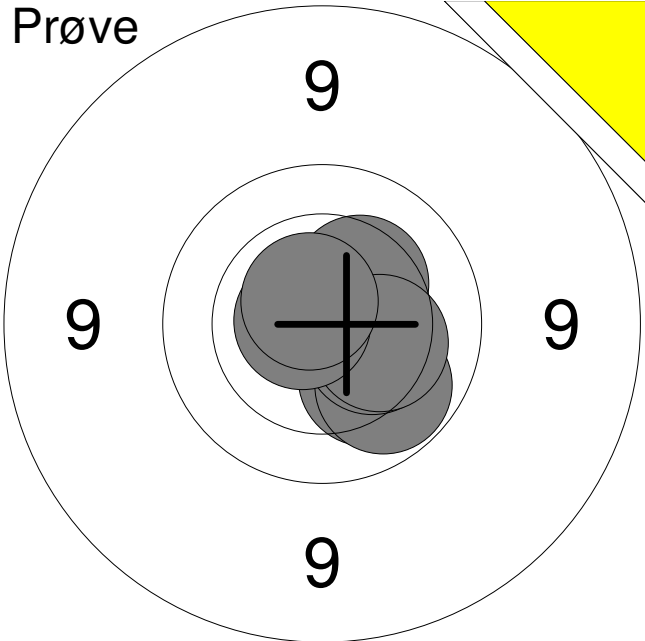
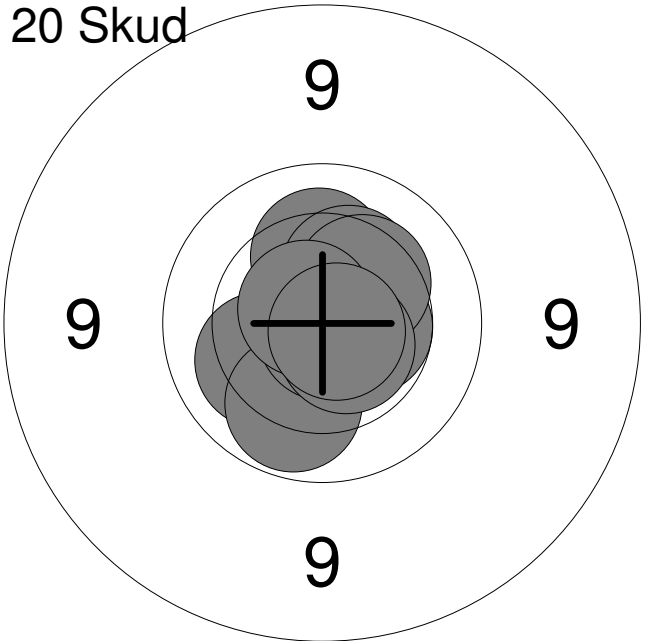
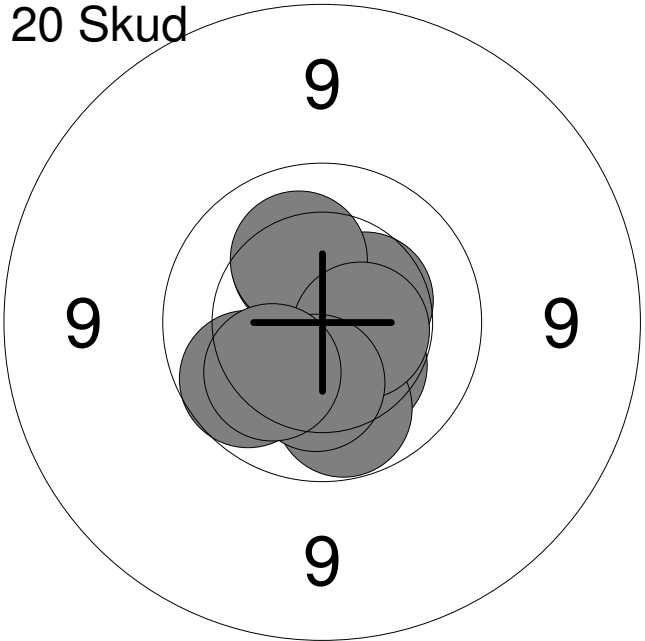
1:	9.6	↓
2:	10.6x	↗
3:	10.0	↘
4:	10.1	↘
5:	9.6	↗
6:	10.4	↗
7:	10.8x	→
8:	10.2	↑
9:	10.5	↗
10:	10.7x	↗
Serie	98	
Total	0	

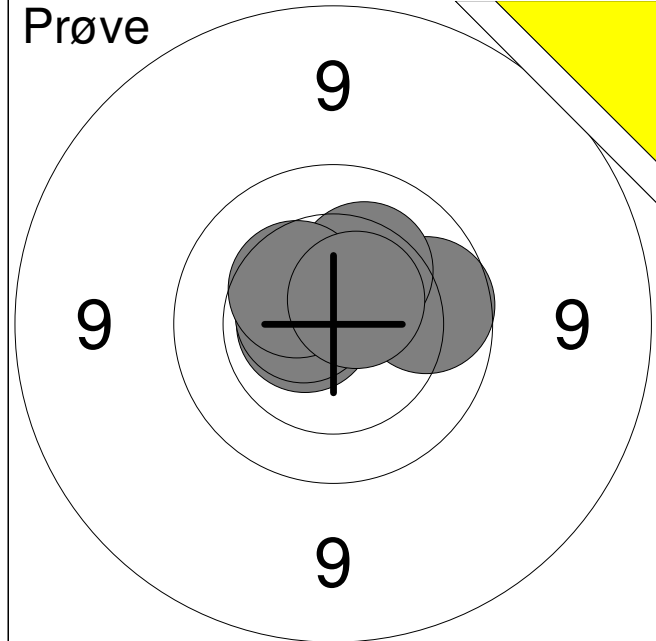


1:	10.3	↑
2:	10.6	↗
3:	10.7x	↑
4:	10.8x	↑
5:	10.4	↘
6:	9.1	↗
7:	10.2	↗
8:	10.2	↗
9:	10.3	↖
10:	10.4	←
Serie	99	
Total	99	

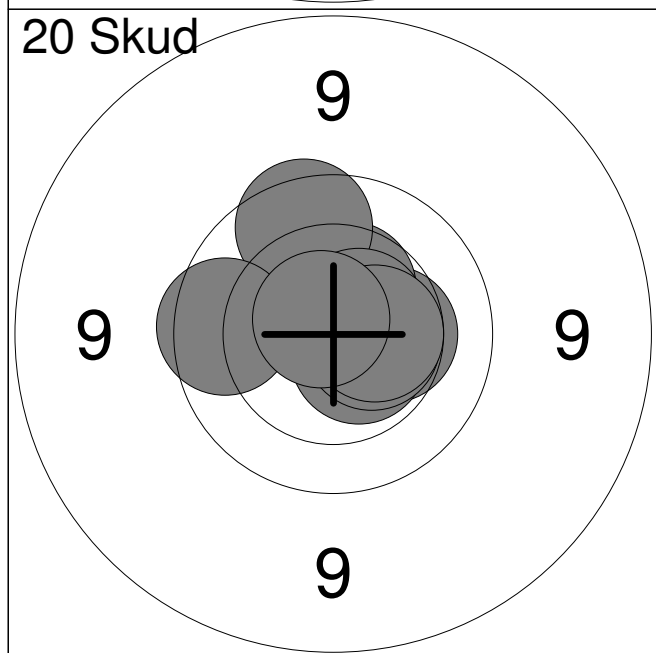


11:	9.2	↗
12:	10.4	↘
13:	10.5	↑
14:	10.6x	↘
15:	9.5	↗
16:	10.3	↗
17:	10.6x	↗
18:	10.7x	↘
19:	10.7x	↑
20:	10.5	↗
Serie	98	
Total	197	

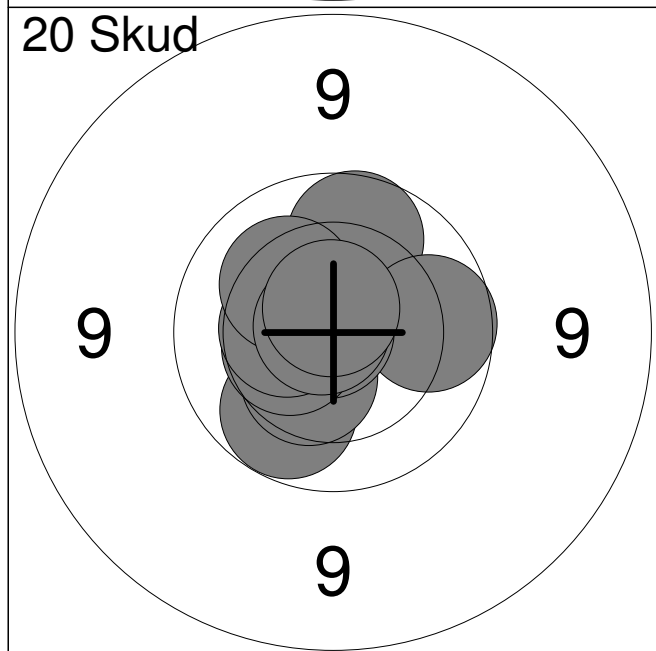
Hold 80	Skive 2	Matias Juellund																																
Aalborg		Aalborg Skyttekreds		MUÅ1																														
15.02.2018		Jyllandsstævnet		Aalborg Skyttekreds																														
Prøve		<table border="0"> <tr><td>1:</td><td>10.2</td><td>↘</td></tr> <tr><td>2:</td><td>10.0</td><td>↘</td></tr> <tr><td>3:</td><td>10.5</td><td>→</td></tr> <tr><td>4:</td><td>10.3</td><td>→</td></tr> <tr><td>5:</td><td>10.3</td><td>↗</td></tr> <tr><td>6:</td><td>10.3</td><td>→</td></tr> <tr><td>7:</td><td>10.7x</td><td>←</td></tr> <tr><td>8:</td><td>10.7x</td><td>↗</td></tr> </table>			1:	10.2	↘	2:	10.0	↘	3:	10.5	→	4:	10.3	→	5:	10.3	↗	6:	10.3	→	7:	10.7x	←	8:	10.7x	↗						
1:	10.2	↘																																
2:	10.0	↘																																
3:	10.5	→																																
4:	10.3	→																																
5:	10.3	↗																																
6:	10.3	→																																
7:	10.7x	←																																
8:	10.7x	↗																																
		Serie		80																														
		Total		0																														
20 Skud		<table border="0"> <tr><td>1:</td><td>10.2</td><td>↙</td></tr> <tr><td>2:</td><td>10.2</td><td>↑</td></tr> <tr><td>3:</td><td>10.5x</td><td>→</td></tr> <tr><td>4:</td><td>10.0</td><td>↓</td></tr> <tr><td>5:</td><td>10.3</td><td>↗</td></tr> <tr><td>6:</td><td>10.3</td><td>↗</td></tr> <tr><td>7:</td><td>10.8x</td><td>↓</td></tr> <tr><td>8:</td><td>10.7x</td><td>↗</td></tr> <tr><td>9:</td><td>10.6x</td><td>↓</td></tr> <tr><td>10:</td><td>10.8x</td><td>↓</td></tr> </table>			1:	10.2	↙	2:	10.2	↑	3:	10.5x	→	4:	10.0	↓	5:	10.3	↗	6:	10.3	↗	7:	10.8x	↓	8:	10.7x	↗	9:	10.6x	↓	10:	10.8x	↓
1:	10.2	↙																																
2:	10.2	↑																																
3:	10.5x	→																																
4:	10.0	↓																																
5:	10.3	↗																																
6:	10.3	↗																																
7:	10.8x	↓																																
8:	10.7x	↗																																
9:	10.6x	↓																																
10:	10.8x	↓																																
		Serie		100																														
		Total		100																														
20 Skud		<table border="0"> <tr><td>11:</td><td>10.3</td><td>↘</td></tr> <tr><td>12:</td><td>9.9</td><td>↙</td></tr> <tr><td>13:</td><td>10.0</td><td>↘</td></tr> <tr><td>14:</td><td>10.3</td><td>↗</td></tr> <tr><td>15:</td><td>10.8x</td><td>↘</td></tr> <tr><td>16:</td><td>10.4</td><td>↗</td></tr> <tr><td>17:</td><td>10.2</td><td>↗</td></tr> <tr><td>18:</td><td>10.5x</td><td>→</td></tr> <tr><td>19:</td><td>10.3</td><td>↓</td></tr> <tr><td>20:</td><td>10.2</td><td>↙</td></tr> </table>			11:	10.3	↘	12:	9.9	↙	13:	10.0	↘	14:	10.3	↗	15:	10.8x	↘	16:	10.4	↗	17:	10.2	↗	18:	10.5x	→	19:	10.3	↓	20:	10.2	↙
11:	10.3	↘																																
12:	9.9	↙																																
13:	10.0	↘																																
14:	10.3	↗																																
15:	10.8x	↘																																
16:	10.4	↗																																
17:	10.2	↗																																
18:	10.5x	→																																
19:	10.3	↓																																
20:	10.2	↙																																
		Serie		99																														
		Total		199																														



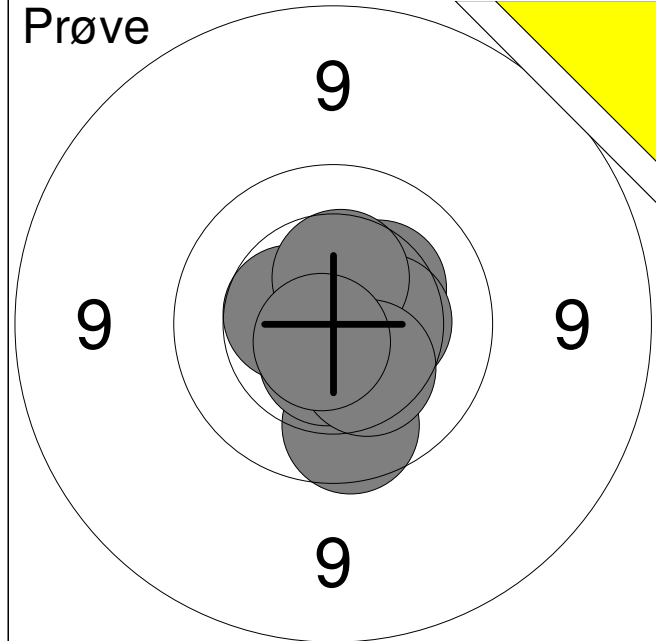
1:	10.6x	←
2:	10.6x	←
3:	9.9	→
4:	10.3	↗
5:	10.4	↖
6:	10.6x	↗
Serie		59
Total		0



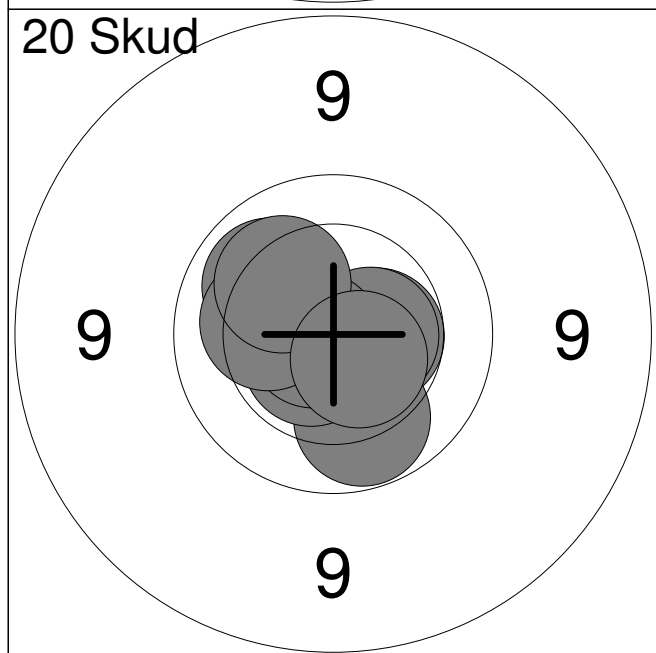
1:	10.3	→
2:	10.6x	↑
3:	10.6x	↘
4:	10.4	↗
5:	9.8	↑
6:	10.5x	→
7:	10.6x	↗
8:	9.8	←
9:	10.5	→
10:	10.7x	↗
Serie		98
Total		98



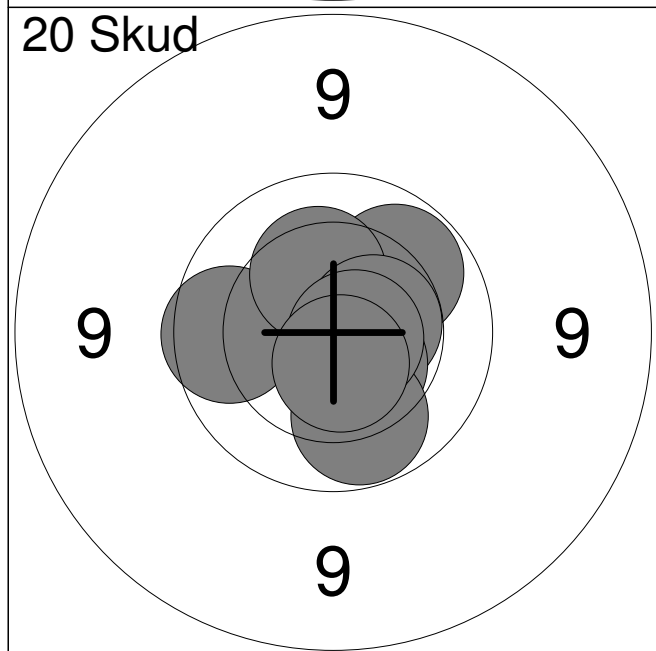
11:	9.9	↑
12:	9.9	→
13:	10.0	↘
14:	10.4	↘
15:	10.9x	←
16:	10.5	←
17:	10.4	←
18:	10.2	↗
19:	10.8x	←
20:	10.7x	↑
Serie		98
Total		196



1:	10.3	↗
2:	10.8x	↘
3:	9.9	↘
4:	10.6x	↘
5:	10.6x	→
6:	10.4	→
7:	10.5	↖
8:	10.4	↑
9:	10.3	↘
10:	10.7x	↘
Serie		99
Total		0

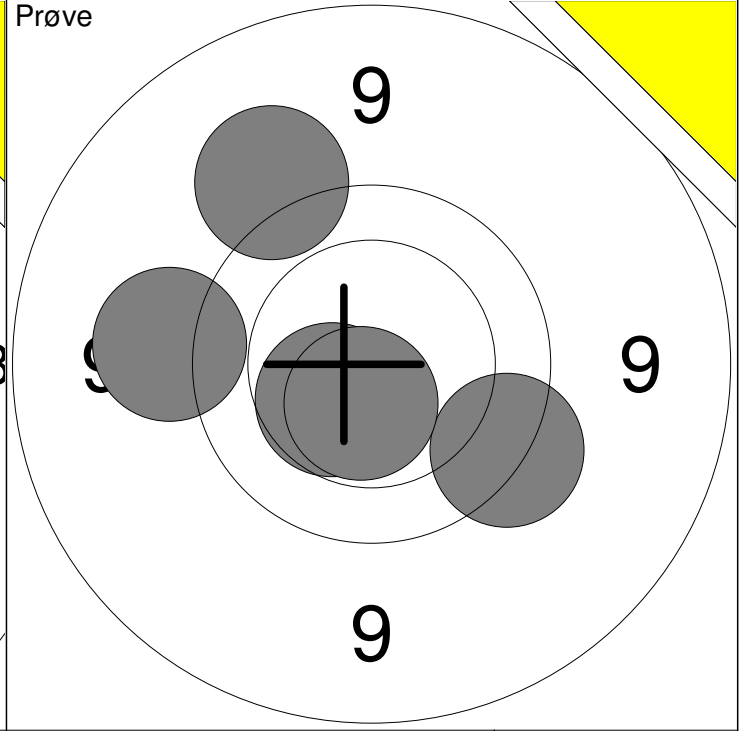
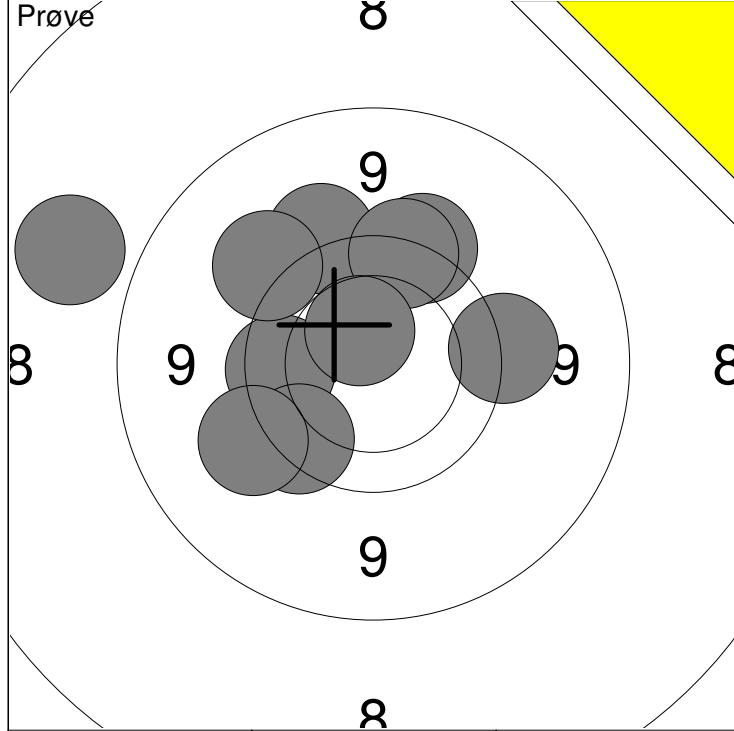


1:	10.5	→
2:	10.0	↘
3:	10.7x	↘
4:	10.6x	↘
5:	10.1	↗
6:	10.5x	→
7:	10.7x	↖
8:	10.2	↖
9:	10.2	↗
10:	10.6x	↘
Serie		100
Total		100



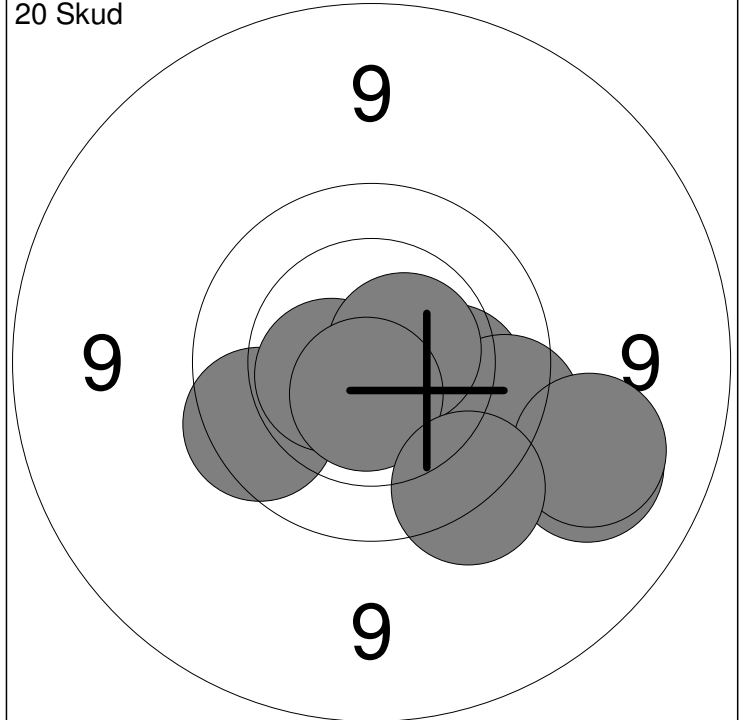
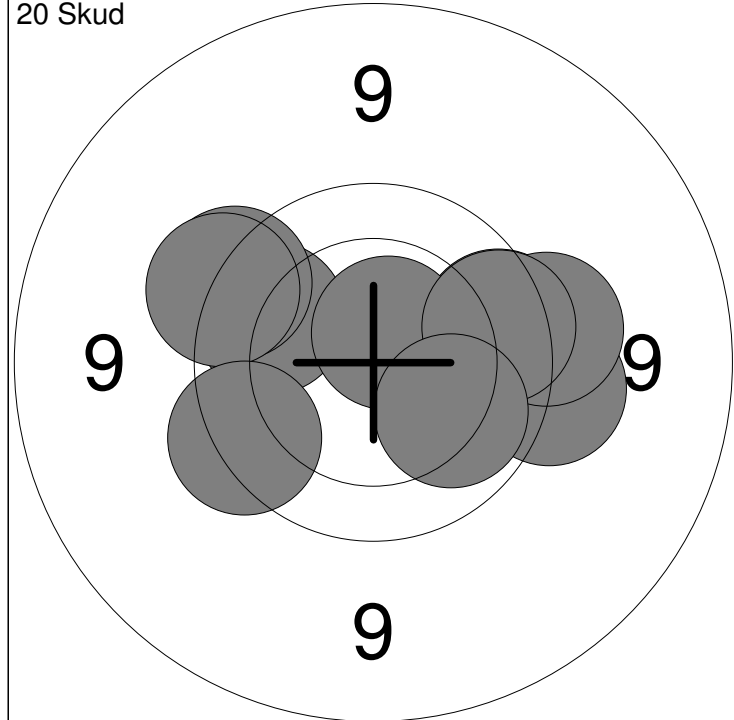
11:	10.7x	→
12:	9.9	↖
13:	10.7x	↘
14:	10.0	↗
15:	10.3	↑
16:	10.5x	→
17:	10.5x	↘
18:	10.0	↘
19:	10.7x	→
20:	10.6x	↘
Serie		99
Total		199

Hold 80	Skive 5	Erik Madsen																																						
Aalborg		Karup Skytteforening		VS2																																				
15.02.2018		Jyllandsstævnet		Aalborg Skyttekreds																																				
Prøve		<table border="1"> <tr><td>1:</td><td>9.9</td><td>↑</td></tr> <tr><td>2:</td><td>9.7</td><td>↙</td></tr> <tr><td>3:</td><td>9.0</td><td>→</td></tr> <tr><td>4:</td><td>10.4</td><td>↙</td></tr> <tr><td>5:</td><td>9.5</td><td>↙</td></tr> <tr><td>6:</td><td>9.6</td><td>↘</td></tr> <tr><td>7:</td><td>9.9</td><td>→</td></tr> <tr><td>8:</td><td>9.0</td><td>↙</td></tr> <tr><td>9:</td><td>10.6x</td><td>↙</td></tr> <tr><td>10:</td><td>9.9</td><td>↑</td></tr> <tr><td colspan="2">Serie</td><td>92</td></tr> <tr><td colspan="2">Total</td><td>0</td></tr> </table>			1:	9.9	↑	2:	9.7	↙	3:	9.0	→	4:	10.4	↙	5:	9.5	↙	6:	9.6	↘	7:	9.9	→	8:	9.0	↙	9:	10.6x	↙	10:	9.9	↑	Serie		92	Total		0
1:	9.9	↑																																						
2:	9.7	↙																																						
3:	9.0	→																																						
4:	10.4	↙																																						
5:	9.5	↙																																						
6:	9.6	↘																																						
7:	9.9	→																																						
8:	9.0	↙																																						
9:	10.6x	↙																																						
10:	9.9	↑																																						
Serie		92																																						
Total		0																																						
20 Skud		<table border="1"> <tr><td>1:</td><td>9.9</td><td>→</td></tr> <tr><td>2:</td><td>8.5</td><td>↘</td></tr> <tr><td>3:</td><td>8.7</td><td>→</td></tr> <tr><td>4:</td><td>9.8</td><td>→</td></tr> <tr><td>5:</td><td>10.2</td><td>↑</td></tr> <tr><td>6:</td><td>10.4</td><td>↙</td></tr> <tr><td>7:</td><td>9.8</td><td>↘</td></tr> <tr><td>8:</td><td>9.9</td><td>↑</td></tr> <tr><td>9:</td><td>8.9</td><td>↙</td></tr> <tr><td>10:</td><td>9.9</td><td>↙</td></tr> <tr><td colspan="2">Serie</td><td>89</td></tr> <tr><td colspan="2">Total</td><td>89</td></tr> </table>			1:	9.9	→	2:	8.5	↘	3:	8.7	→	4:	9.8	→	5:	10.2	↑	6:	10.4	↙	7:	9.8	↘	8:	9.9	↑	9:	8.9	↙	10:	9.9	↙	Serie		89	Total		89
1:	9.9	→																																						
2:	8.5	↘																																						
3:	8.7	→																																						
4:	9.8	→																																						
5:	10.2	↑																																						
6:	10.4	↙																																						
7:	9.8	↘																																						
8:	9.9	↑																																						
9:	8.9	↙																																						
10:	9.9	↙																																						
Serie		89																																						
Total		89																																						
20 Skud		<table border="1"> <tr><td>11:</td><td>9.8</td><td>↙</td></tr> <tr><td>12:</td><td>9.8</td><td>→</td></tr> <tr><td>13:</td><td>9.9</td><td>↘</td></tr> <tr><td>14:</td><td>9.2</td><td>↘</td></tr> <tr><td>15:</td><td>9.8</td><td>↑</td></tr> <tr><td>16:</td><td>10.0</td><td>↘</td></tr> <tr><td>17:</td><td>10.2</td><td>↙</td></tr> <tr><td>18:</td><td>10.0</td><td>↘</td></tr> <tr><td>19:</td><td>9.7</td><td>↑</td></tr> <tr><td>20:</td><td>10.8x</td><td>↘</td></tr> <tr><td colspan="2">Serie</td><td>94</td></tr> <tr><td colspan="2">Total</td><td>183</td></tr> </table>			11:	9.8	↙	12:	9.8	→	13:	9.9	↘	14:	9.2	↘	15:	9.8	↑	16:	10.0	↘	17:	10.2	↙	18:	10.0	↘	19:	9.7	↑	20:	10.8x	↘	Serie		94	Total		183
11:	9.8	↙																																						
12:	9.8	→																																						
13:	9.9	↘																																						
14:	9.2	↘																																						
15:	9.8	↑																																						
16:	10.0	↘																																						
17:	10.2	↙																																						
18:	10.0	↘																																						
19:	9.7	↑																																						
20:	10.8x	↘																																						
Serie		94																																						
Total		183																																						



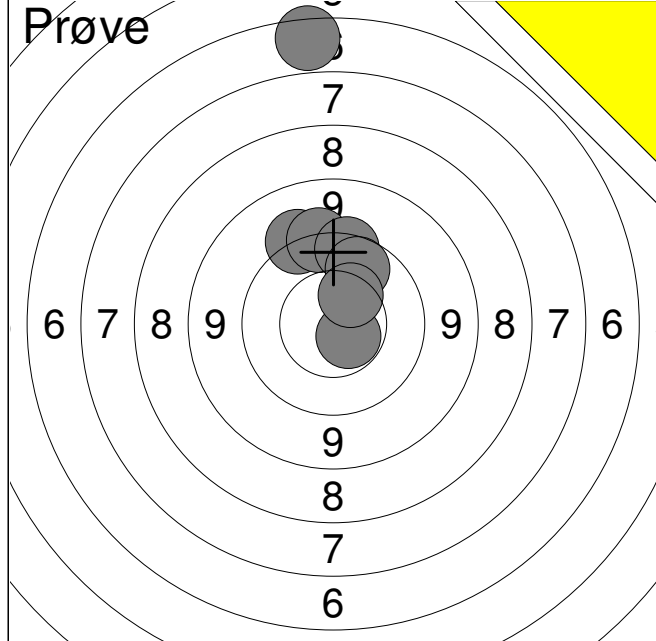
1: 8.3 ↙	6: 9.4 ↖	Serie	90
2: 9.8 ←	7: 9.5 ↗		
3: 9.7 ↘	8: 9.5 →	Total	0
4: 9.4 ↙	9: 9.6 ↗		
5: 9.5 ↗	10: 10.5 ↗		

11: 9.4 ←	Serie	47
12: 9.6 ↘		
13: 9.4 ↗	Total	0
14: 10.4 ↘		
15: 10.6x ↘		

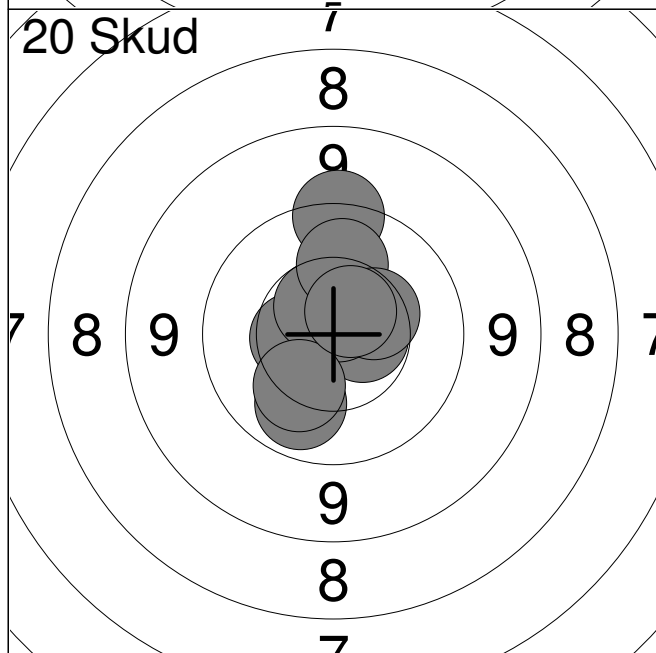


1: 9.9 ↖	6: 9.5 →	Serie	92
2: 9.6 ↗	7: 10.6x ↗		
3: 9.6 ↖	8: 9.7 ←	Total	92
4: 9.5 →	9: 9.8 →		
5: 9.8 →	10: 10.1 ↘		

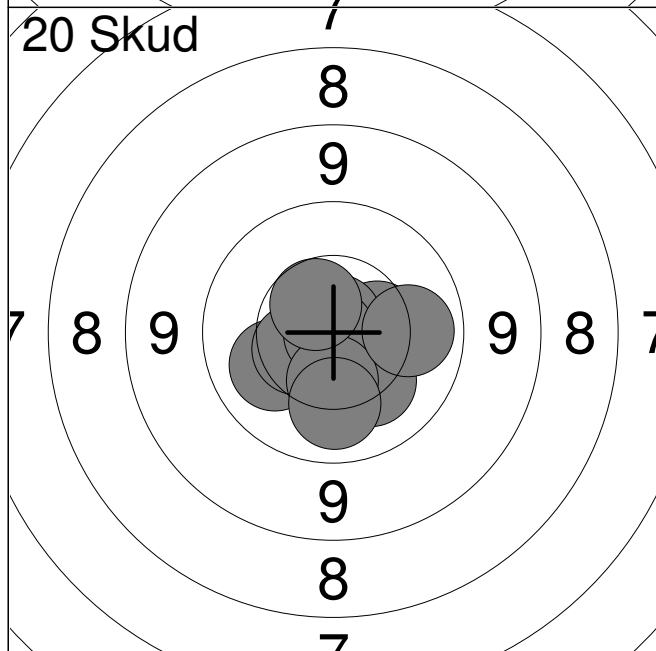
11: 10.7x ↘	16: 9.7 →	Serie	95
12: 10.2 →	17: 9.2 →		
13: 9.8 ←	18: 10.6x ↗	Total	187
14: 10.5x ←	19: 10.6x ↘		
15: 9.2 →	20: 9.6 ↘		



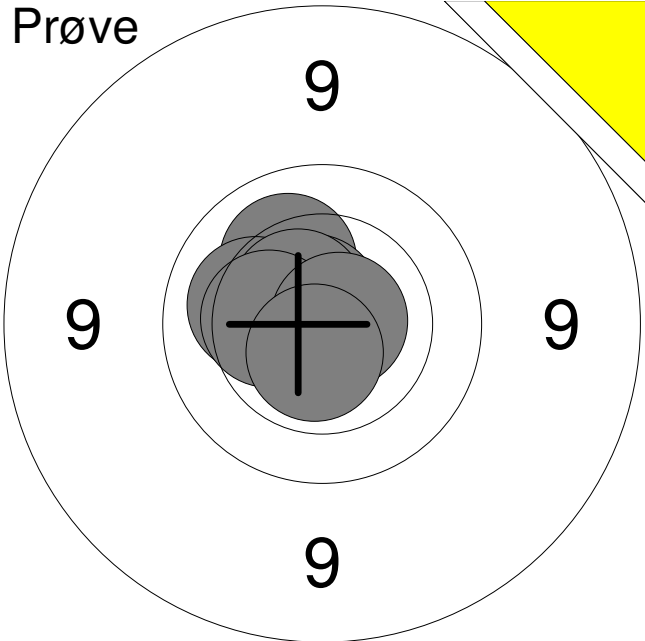
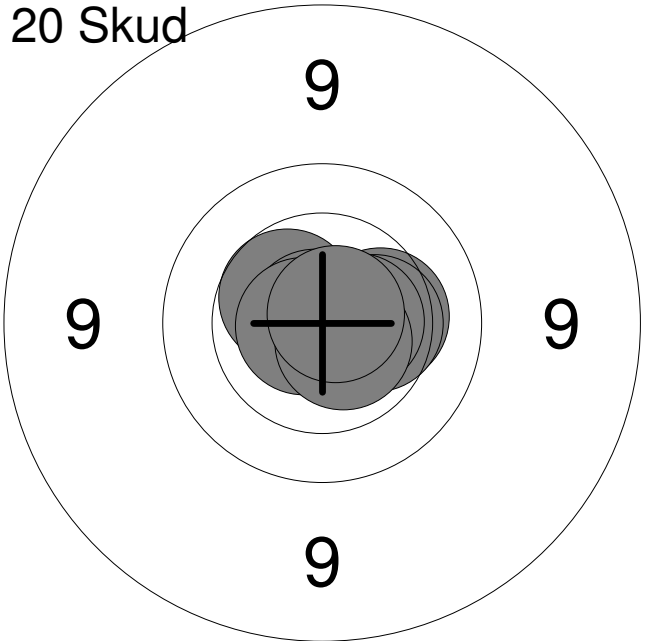
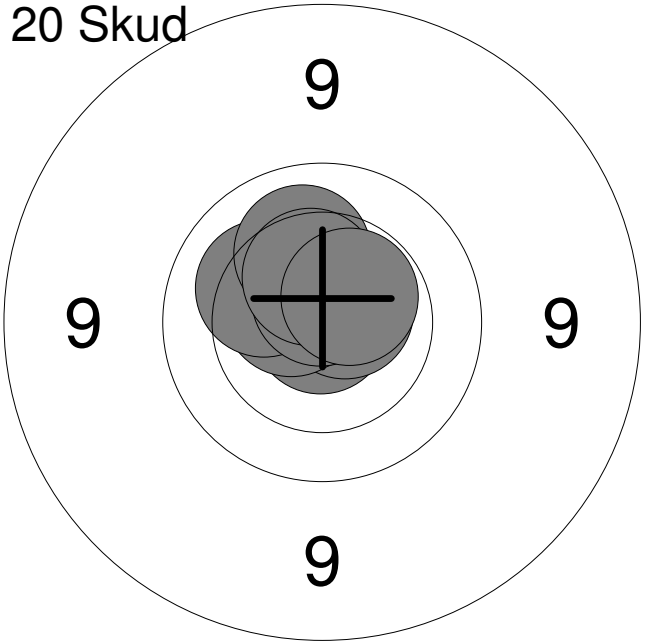
1:	5.7	↑
2:	9.4	↖
3:	9.5	↑
4:	9.6	↑
5:	9.9	↗
6:	10.6x	↘
7:	10.4	↗
Serie		61
Total		0

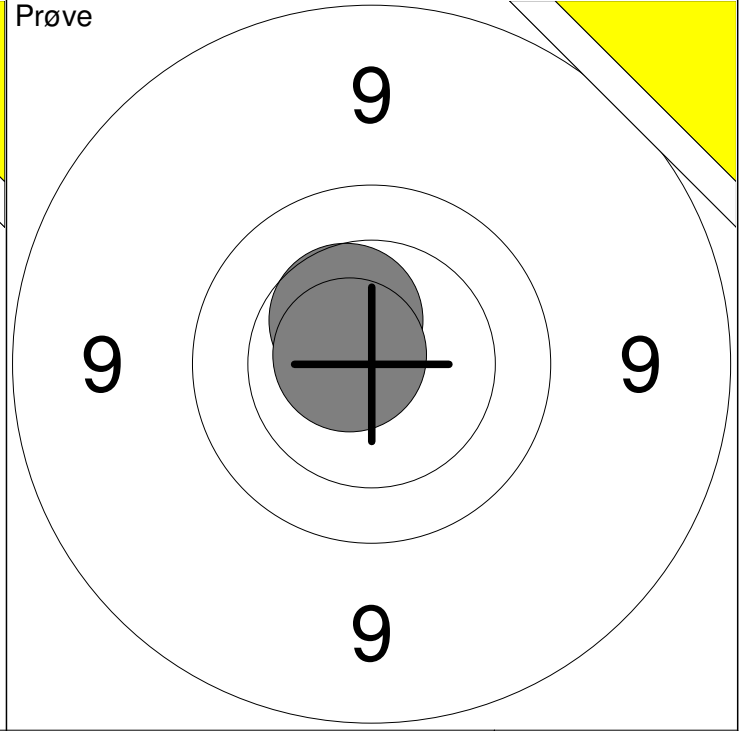
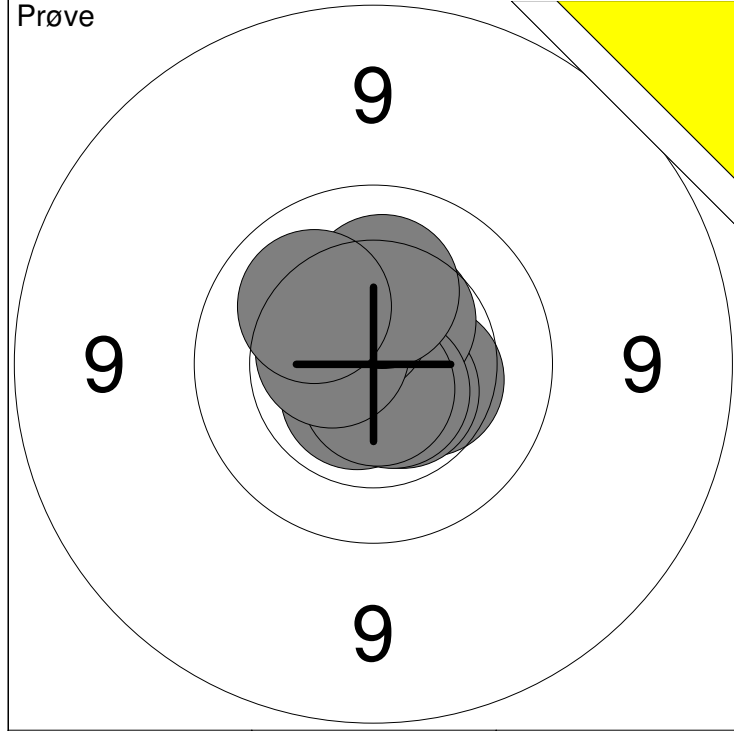


1:	10.5	←
2:	10.0	↘
3:	10.6x	→
4:	9.5	↑
5:	10.7x	↑
6:	10.6	↖
7:	10.1	↑
8:	10.2	↘
9:	10.4	↗
10:	10.6x	↗
Serie		99
Total		99



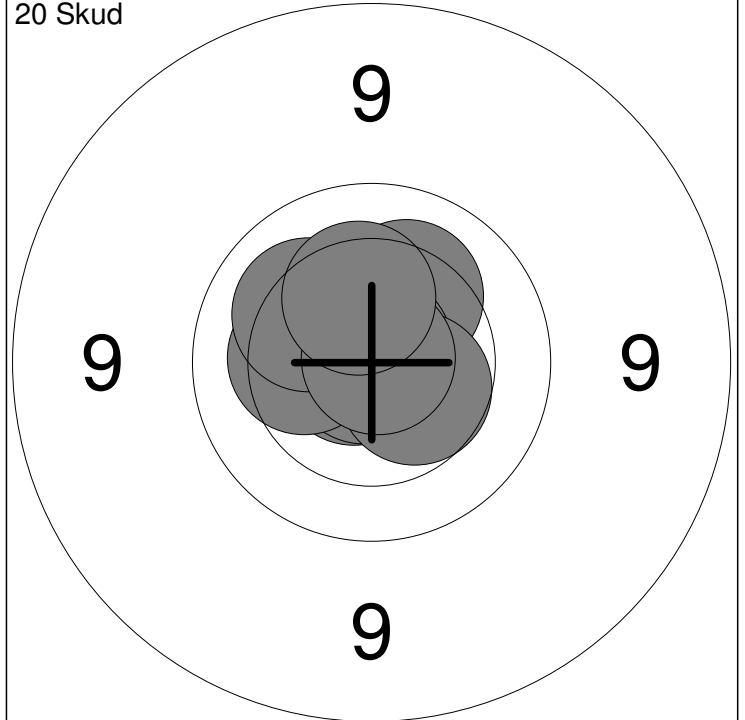
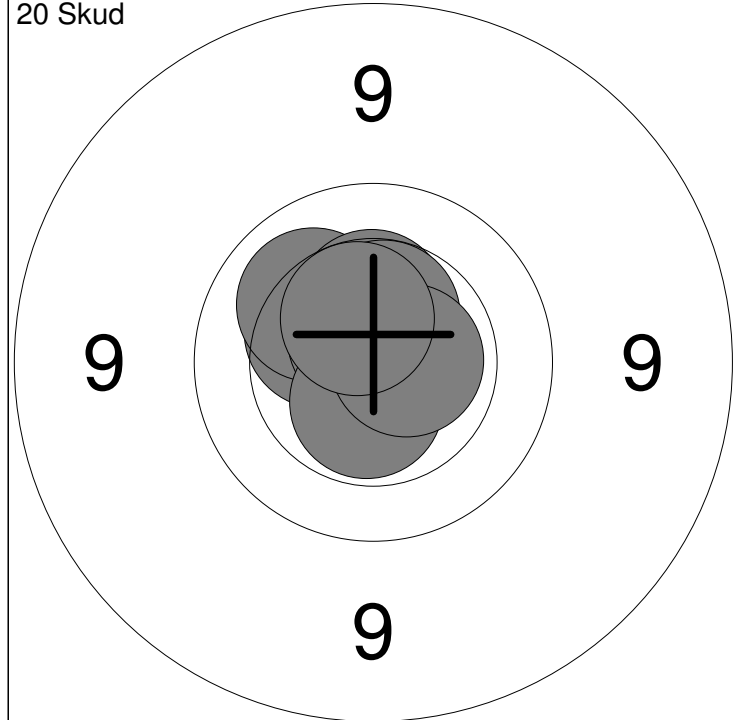
11:	10.4	→
12:	10.2	↘
13:	10.8x	↑
14:	10.2	←
15:	10.5	←
16:	10.9x	←
17:	10.4	↓
18:	10.1	→
19:	10.6	↗
20:	10.1	↓
Serie		100
Total		199

Hold 80	Skive 9	Trine Weinreich Klit Andersen																																
Aalborg		Vester Hassing Skytteforening		MBK1																														
15.02.2018		Jyllandsstævnet		Aalborg Skyttekreds																														
Prøve		<table border="0"> <tr><td>1:</td><td>10.2</td><td>↗</td></tr> <tr><td>2:</td><td>10.7x</td><td>↗</td></tr> <tr><td>3:</td><td>10.2</td><td>↖</td></tr> <tr><td>4:</td><td>10.6x</td><td>↗</td></tr> <tr><td>5:</td><td>10.4</td><td>↖</td></tr> <tr><td>6:</td><td>10.8x</td><td>→</td></tr> <tr><td>7:</td><td>10.6x</td><td>↓</td></tr> </table>			1:	10.2	↗	2:	10.7x	↗	3:	10.2	↖	4:	10.6x	↗	5:	10.4	↖	6:	10.8x	→	7:	10.6x	↓									
1:	10.2	↗																																
2:	10.7x	↗																																
3:	10.2	↖																																
4:	10.6x	↗																																
5:	10.4	↖																																
6:	10.8x	→																																
7:	10.6x	↓																																
		Serie		70																														
		Total		0																														
20 Skud		<table border="0"> <tr><td>1:</td><td>10.3</td><td>→</td></tr> <tr><td>2:</td><td>10.8x</td><td>↘</td></tr> <tr><td>3:</td><td>10.9x</td><td>↖</td></tr> <tr><td>4:</td><td>10.5</td><td>↗</td></tr> <tr><td>5:</td><td>10.8x</td><td>↗</td></tr> <tr><td>6:</td><td>10.7x</td><td>↖</td></tr> <tr><td>7:</td><td>10.4</td><td>→</td></tr> <tr><td>8:</td><td>10.6x</td><td>→</td></tr> <tr><td>9:</td><td>10.6x</td><td>↘</td></tr> <tr><td>10:</td><td>10.8x</td><td>↗</td></tr> </table>			1:	10.3	→	2:	10.8x	↘	3:	10.9x	↖	4:	10.5	↗	5:	10.8x	↗	6:	10.7x	↖	7:	10.4	→	8:	10.6x	→	9:	10.6x	↘	10:	10.8x	↗
1:	10.3	→																																
2:	10.8x	↘																																
3:	10.9x	↖																																
4:	10.5	↗																																
5:	10.8x	↗																																
6:	10.7x	↖																																
7:	10.4	→																																
8:	10.6x	→																																
9:	10.6x	↘																																
10:	10.8x	↗																																
		Serie		100																														
		Total		100																														
20 Skud		<table border="0"> <tr><td>11:</td><td>10.5x</td><td>↗</td></tr> <tr><td>12:</td><td>10.9x</td><td>↘</td></tr> <tr><td>13:</td><td>10.7x</td><td>↗</td></tr> <tr><td>14:</td><td>10.7x</td><td>↗</td></tr> <tr><td>15:</td><td>10.6x</td><td>↖</td></tr> <tr><td>16:</td><td>10.2</td><td>↗</td></tr> <tr><td>17:</td><td>10.7x</td><td>↑</td></tr> <tr><td>18:</td><td>10.2</td><td>↑</td></tr> <tr><td>19:</td><td>10.4</td><td>↑</td></tr> <tr><td>20:</td><td>10.5x</td><td>↗</td></tr> </table>			11:	10.5x	↗	12:	10.9x	↘	13:	10.7x	↗	14:	10.7x	↗	15:	10.6x	↖	16:	10.2	↗	17:	10.7x	↑	18:	10.2	↑	19:	10.4	↑	20:	10.5x	↗
11:	10.5x	↗																																
12:	10.9x	↘																																
13:	10.7x	↗																																
14:	10.7x	↗																																
15:	10.6x	↖																																
16:	10.2	↗																																
17:	10.7x	↑																																
18:	10.2	↑																																
19:	10.4	↑																																
20:	10.5x	↗																																
		Serie		100																														
		Total		200																														



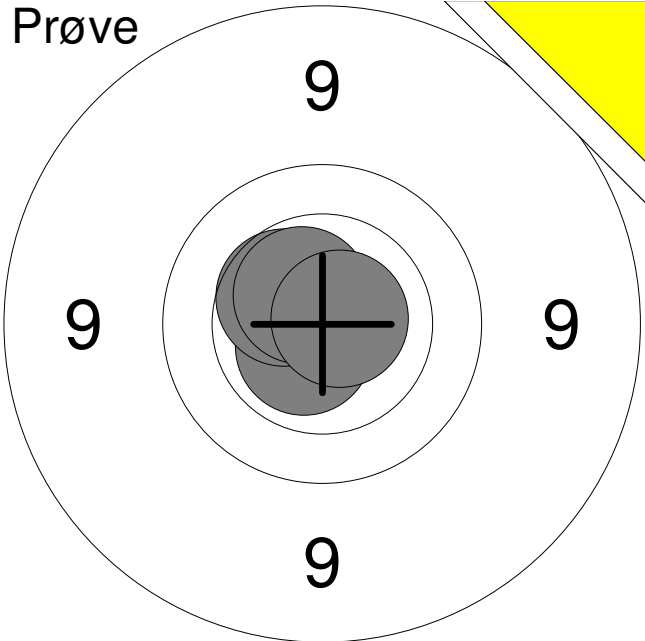
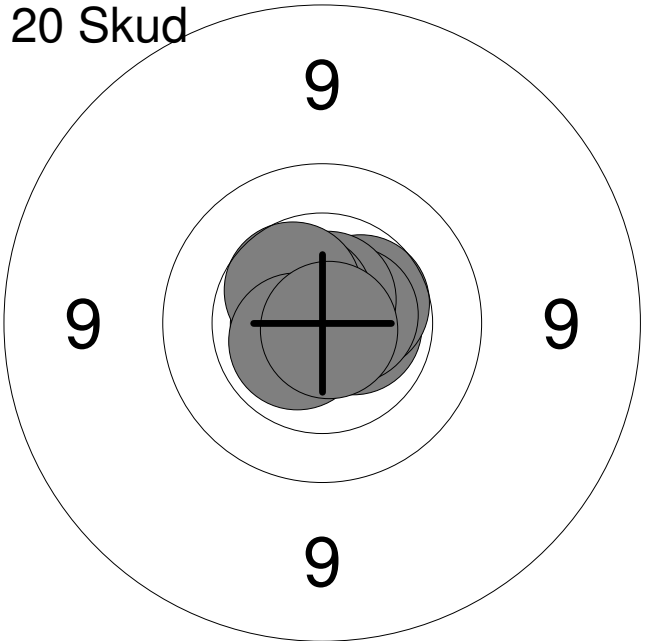
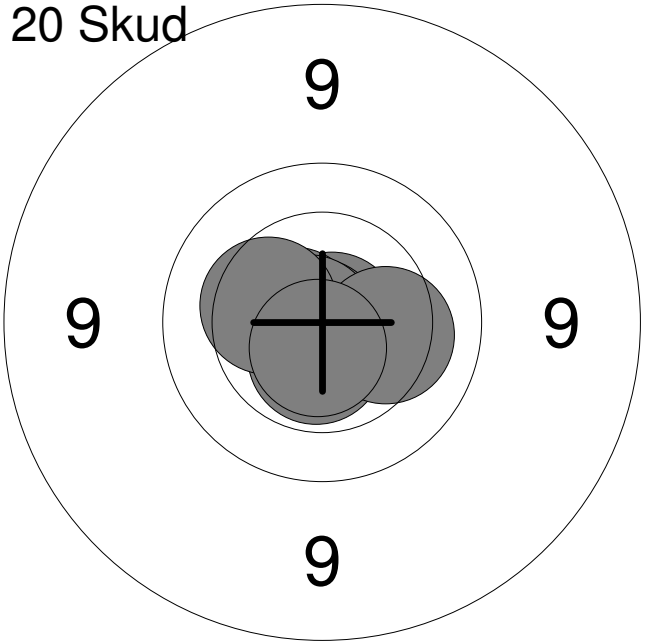
1: 10.4 →	6: 10.7x ↓	Serie	100
2: 10.6x ↘	7: 10.5 ↗		
3: 10.6x ↙	8: 10.5x ←	Total	0
4: 10.5 ↗	9: 10.2 ↑		
5: 10.6x ↘	10: 10.1 ↖		

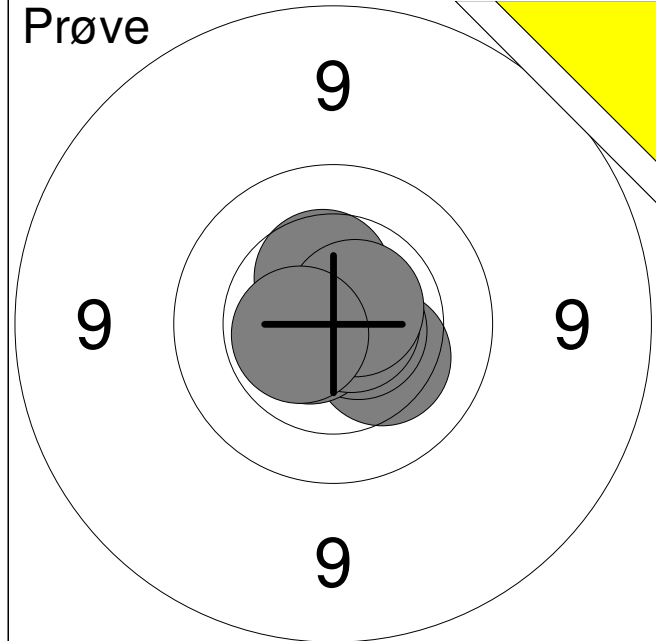
11: 10.5 ↗	Serie	20
12: 10.7x ↖		
Total		0



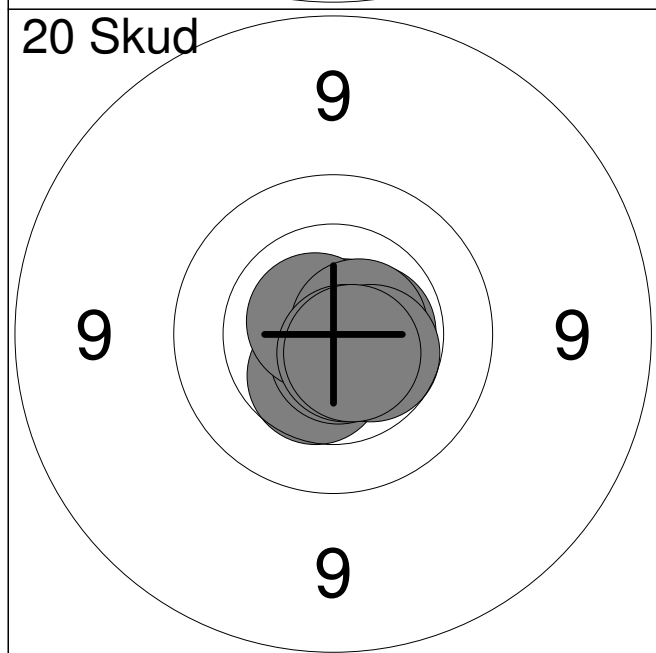
1: 10.4 ↖	6: 10.4 ↑	Serie	100
2: 10.7x ↑	7: 10.5x ↑		
3: 10.1 ↖	8: 10.6x ↓	Total	100
4: 10.7x ↑	9: 10.6x →		
5: 10.6x ↑	10: 10.5x ↑		

11: 10.8x ←	16: 10.5 ↘	Serie	100
12: 10.9x ↘	17: 10.3 ←		
13: 10.9x ↙	18: 10.2 ↖	Total	200
14: 10.2 ↑	19: 10.9x ↗		
15: 10.8x ↑	20: 10.3 ↑		

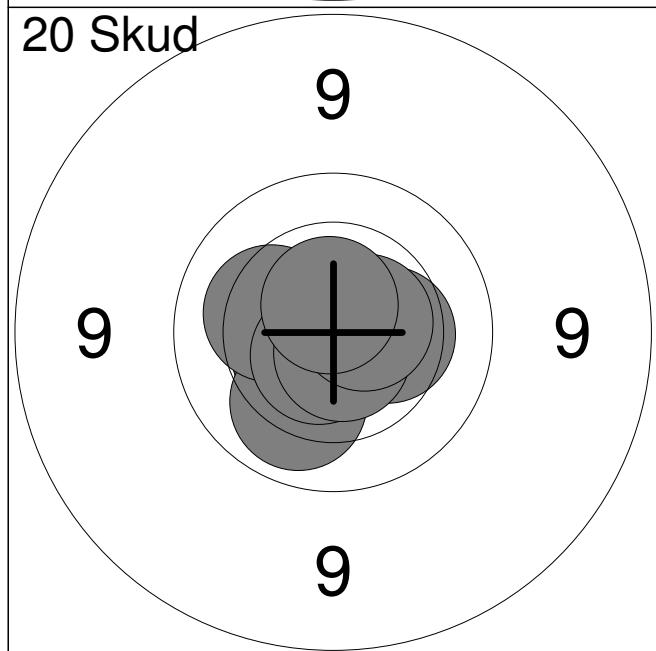
Hold	Skive	Emil Hedemann		
80	11	Aalborg	Vester Hassing Skytteforening	MBK1
15.02.2018	Jyllandsstævnet	Aalborg Skyttekreds		
Prøve 	1:	10.6x	↗	
	2:	10.6x	↘	
	3:	10.4	↗	
	4:	10.6x	↗	
	5:	10.7x	→	
Serie				50
Total				0
20 Skud 	1:	10.6x	→	
	2:	10.8x	↑	
	3:	10.5	↗	
	4:	10.6x	→	
	5:	10.7x	←	
	6:	10.7x	↑	
	7:	10.6x	↗	
	8:	10.5	↗	
	9:	10.6x	↘	
	10:	10.9x	↘	
Serie				100
Total				100
20 Skud 	11:	10.8x	→	
	12:	10.8x	↘	
	13:	10.9x	↘	
	14:	10.7x	↓	
	15:	10.6x	←	
	16:	10.8x	←	
	17:	10.6x	↓	
	18:	10.3	←	
	19:	10.2	→	
	20:	10.7x	↓	
Serie				100
Total				200



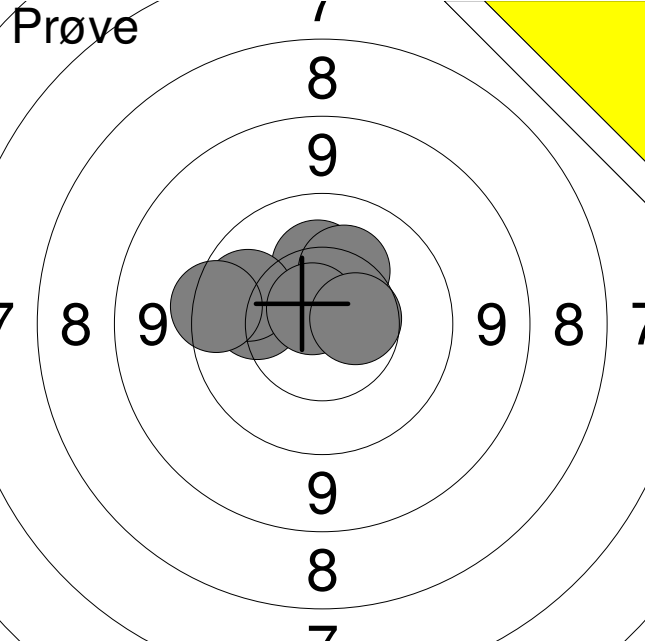
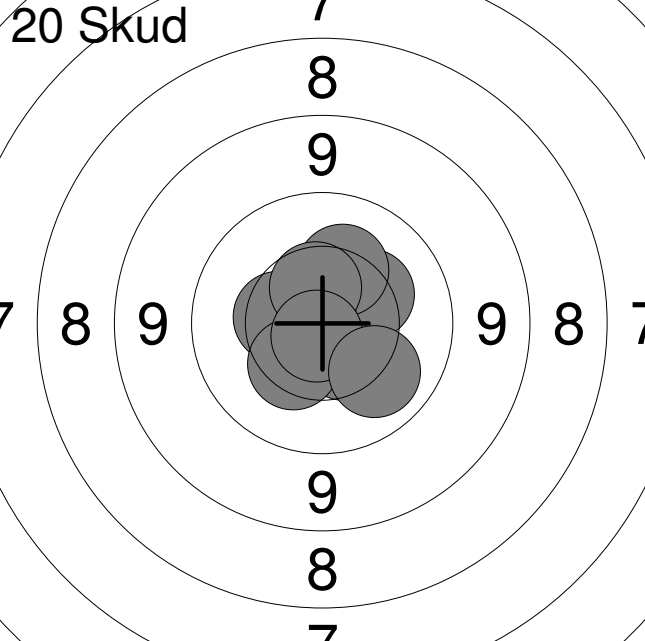
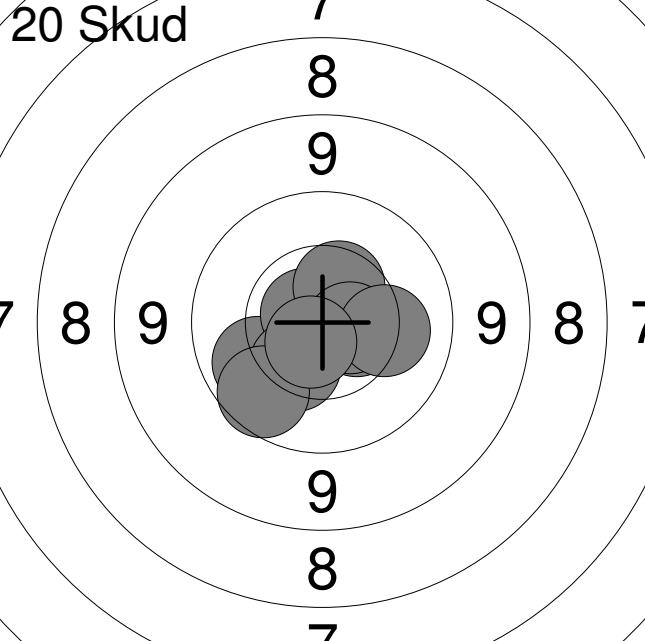
1:	10.3	↘
2:	10.4	↑
3:	10.7x	→
4:	10.7x	←
5:	10.8x	→
6:	10.6x	↗
7:	10.6x	←
Serie		70
Total		0

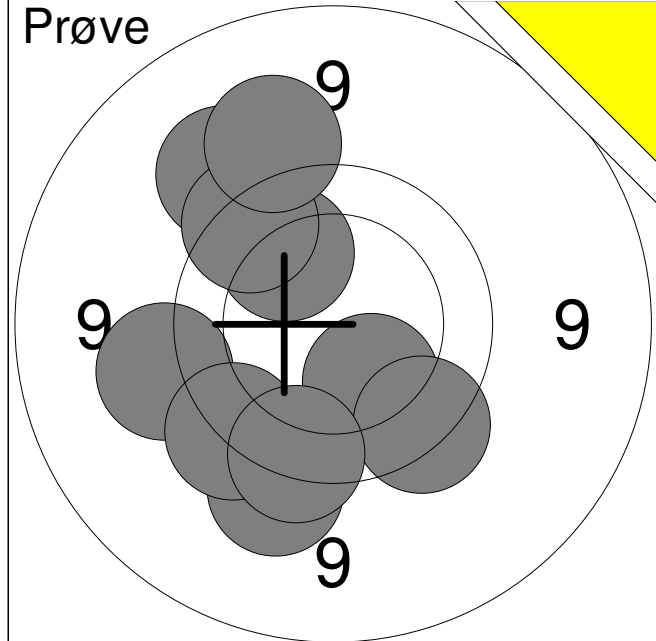


1:	10.8x	↘
2:	10.6x	→
3:	10.5	↘
4:	10.7x	↘
5:	10.8x	↗
6:	10.7x	↗
7:	10.7x	→
8:	10.5	↘
9:	10.7x	↘
10:	10.6x	↘
Serie		100
Total		100

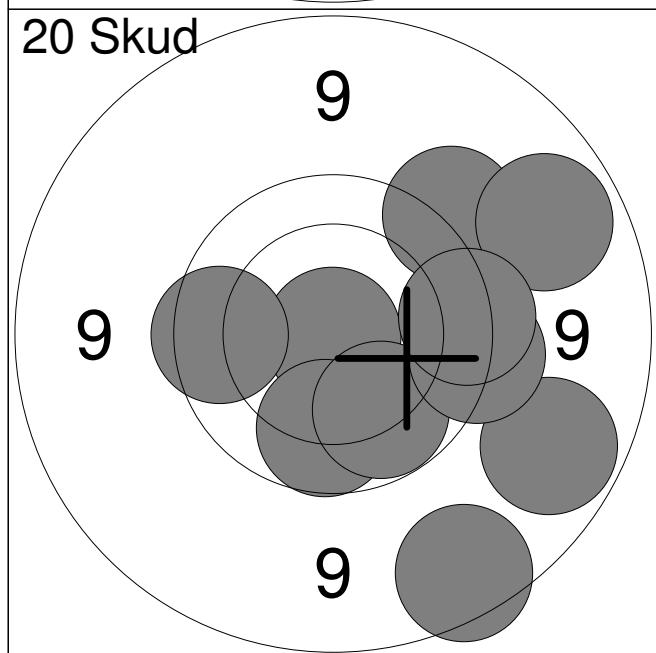


11:	10.4	→
12:	10.5x	←
13:	10.1	↘
14:	10.8x	↑
15:	10.8x	↗
16:	10.2	←
17:	10.6x	↘
18:	10.7x	↘
19:	10.6x	→
20:	10.6x	↑
Serie		100
Total		200

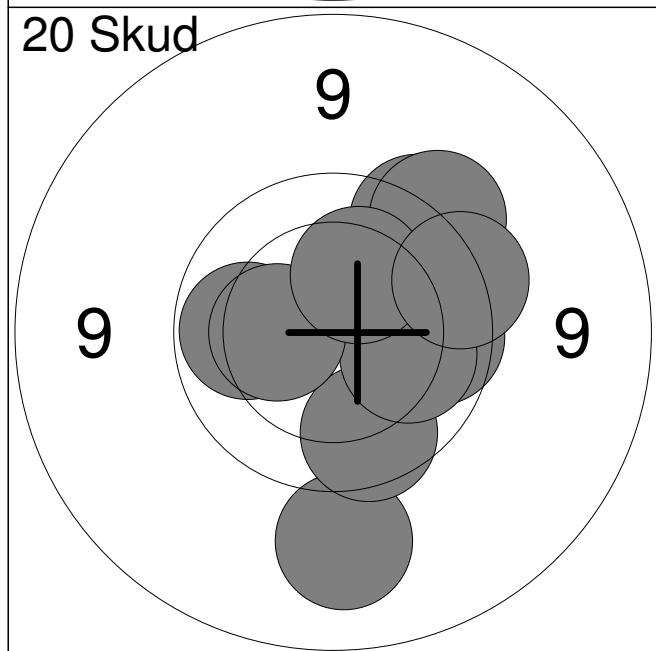
Hold	Skive	Linda Madsen																																
81	1	Aalborg Skyttekreds		MVÅ1																														
15.02.2018		Jyllandsstævnet		Aalborg Skyttekreds																														
Prøve		<table border="0"> <tr><td>1:</td><td>10.3</td><td>↑</td></tr> <tr><td>2:</td><td>10.2</td><td>←</td></tr> <tr><td>3:</td><td>10.0</td><td>↖</td></tr> <tr><td>4:</td><td>10.3</td><td>↗</td></tr> <tr><td>5:</td><td>9.7</td><td>←</td></tr> <tr><td>6:</td><td>10.7x</td><td>↗</td></tr> <tr><td>7:</td><td>10.6</td><td>→</td></tr> </table>			1:	10.3	↑	2:	10.2	←	3:	10.0	↖	4:	10.3	↗	5:	9.7	←	6:	10.7x	↗	7:	10.6	→									
1:	10.3	↑																																
2:	10.2	←																																
3:	10.0	↖																																
4:	10.3	↗																																
5:	9.7	←																																
6:	10.7x	↗																																
7:	10.6	→																																
		Serie 69																																
		Total 0																																
20 Skud		<table border="0"> <tr><td>1:</td><td>10.8x</td><td>→</td></tr> <tr><td>2:</td><td>10.5</td><td>↘</td></tr> <tr><td>3:</td><td>10.3</td><td>↗</td></tr> <tr><td>4:</td><td>10.3</td><td>↗</td></tr> <tr><td>5:</td><td>10.8x</td><td>↖</td></tr> <tr><td>6:</td><td>10.4</td><td>←</td></tr> <tr><td>7:</td><td>10.5</td><td>↑</td></tr> <tr><td>8:</td><td>10.4</td><td>↘</td></tr> <tr><td>9:</td><td>10.8x</td><td>↘</td></tr> <tr><td>10:</td><td>10.1</td><td>↘</td></tr> </table>			1:	10.8x	→	2:	10.5	↘	3:	10.3	↗	4:	10.3	↗	5:	10.8x	↖	6:	10.4	←	7:	10.5	↑	8:	10.4	↘	9:	10.8x	↘	10:	10.1	↘
1:	10.8x	→																																
2:	10.5	↘																																
3:	10.3	↗																																
4:	10.3	↗																																
5:	10.8x	↖																																
6:	10.4	←																																
7:	10.5	↑																																
8:	10.4	↘																																
9:	10.8x	↘																																
10:	10.1	↘																																
		Serie 100																																
		Total 100																																
20 Skud		<table border="0"> <tr><td>11:</td><td>10.7x</td><td>↖</td></tr> <tr><td>12:</td><td>10.1</td><td>↖</td></tr> <tr><td>13:</td><td>10.7x</td><td>↖</td></tr> <tr><td>14:</td><td>10.5</td><td>↗</td></tr> <tr><td>15:</td><td>10.5</td><td>→</td></tr> <tr><td>16:</td><td>10.4</td><td>↘</td></tr> <tr><td>17:</td><td>10.6x</td><td>→</td></tr> <tr><td>18:</td><td>10.2</td><td>→</td></tr> <tr><td>19:</td><td>9.9</td><td>↘</td></tr> <tr><td>20:</td><td>10.7x</td><td>↘</td></tr> </table>			11:	10.7x	↖	12:	10.1	↖	13:	10.7x	↖	14:	10.5	↗	15:	10.5	→	16:	10.4	↘	17:	10.6x	→	18:	10.2	→	19:	9.9	↘	20:	10.7x	↘
11:	10.7x	↖																																
12:	10.1	↖																																
13:	10.7x	↖																																
14:	10.5	↗																																
15:	10.5	→																																
16:	10.4	↘																																
17:	10.6x	→																																
18:	10.2	→																																
19:	9.9	↘																																
20:	10.7x	↘																																
		Serie 99																																
		Total 199																																



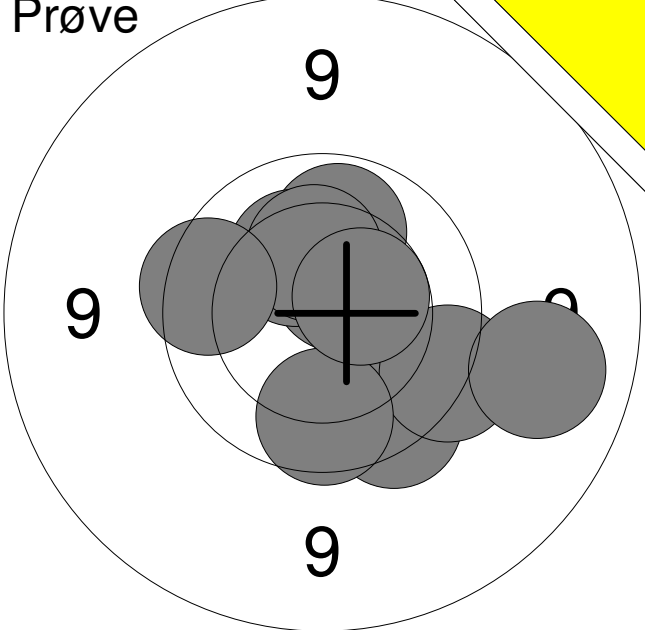
1:	9.4	↓
2:	10.2	↓
3:	10.0	↗
4:	9.4	←
5:	9.6	↓
6:	9.7	↓
7:	9.7	↓
8:	9.4	↗
9:	9.7	↗
10:	9.3	↑
Serie	92	
Total	0	

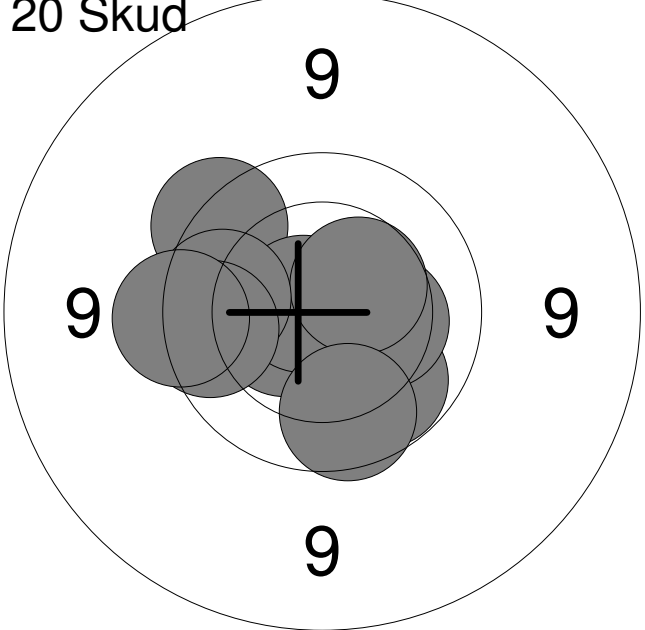


1:	8.9	↓
2:	10.9x	↓
3:	9.9	↓
4:	10.0	↓
5:	9.5	↗
6:	9.0	↘
7:	9.8	←
8:	9.0	↗
9:	9.6	→
10:	9.7	→
Serie	91	
Total	91	

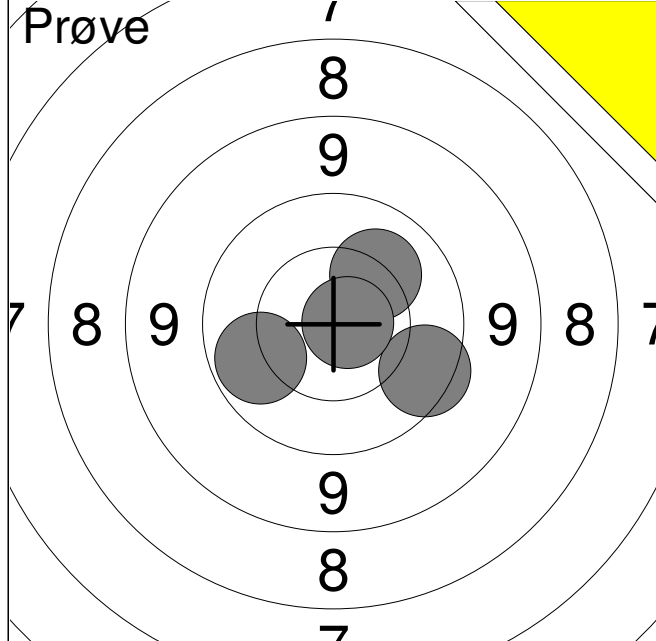


11:	10.0	←
12:	9.6	↗
13:	9.2	↓
14:	9.8	↓
15:	9.9	→
16:	10.1	→
17:	10.3	←
18:	9.6	↗
19:	10.3	↑
20:	9.7	→
Serie	94	
Total	185	

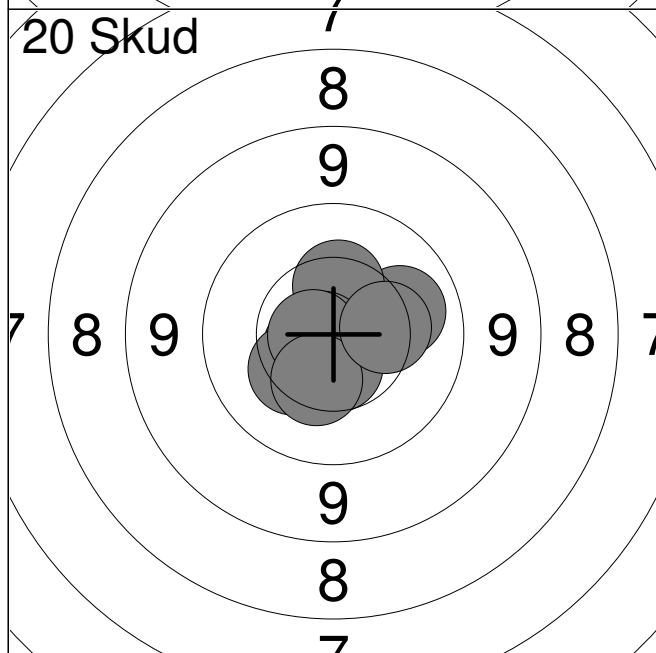
Prøve 	1:	9.7	↘
	2:	9.6	→
	3:	10.6x	↗
	4:	9.1	→
	5:	9.9	↓
	6:	10.0	↑
	7:	10.3	↗
	8:	10.3	↑
	9:	9.8	←
	10:	10.5	→
	Serie		95
Total		0	

20 Skud 	1:	10.0	↘
	2:	10.5x	←
	3:	9.7	↗
	4:	10.3	→
	5:	10.7x	↖
	6:	10.5	↗
	7:	9.9	←
	8:	9.8	←
	9:	9.9	↓
	10:	9.6	←
	Serie		95
Total		95	

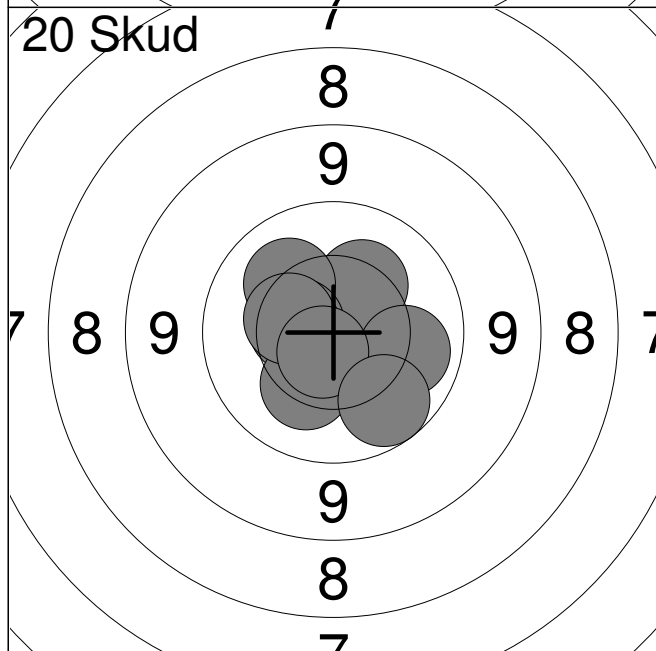
20 Skud 	11:	9.3	↗
	12:	9.8	↓
	13:	9.6	↘
	14:	10.0	→
	15:	9.8	↓
	16:	10.0	←
	17:	10.1	↗
	18:	9.8	→
	19:	10.7x	→
	20:	10.3	↑
	Serie		95
Total		190	



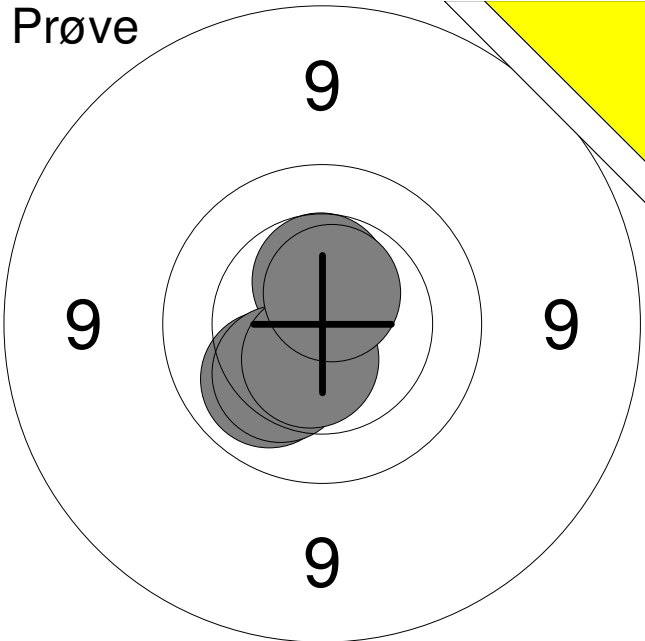
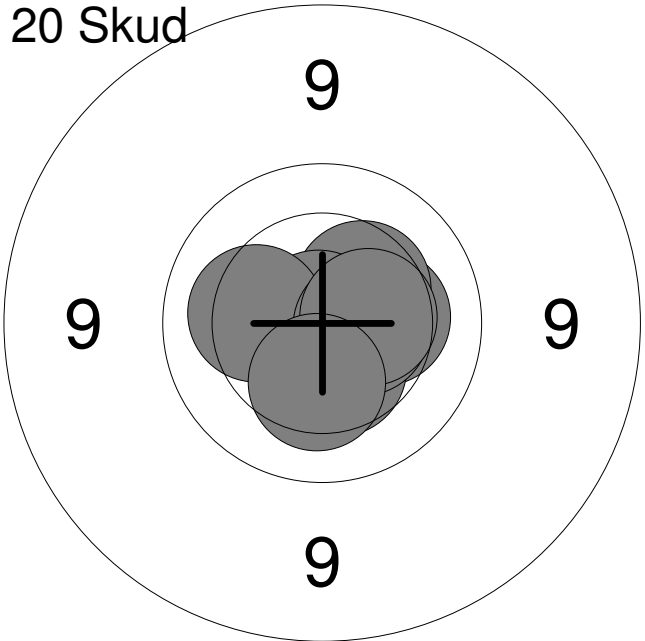
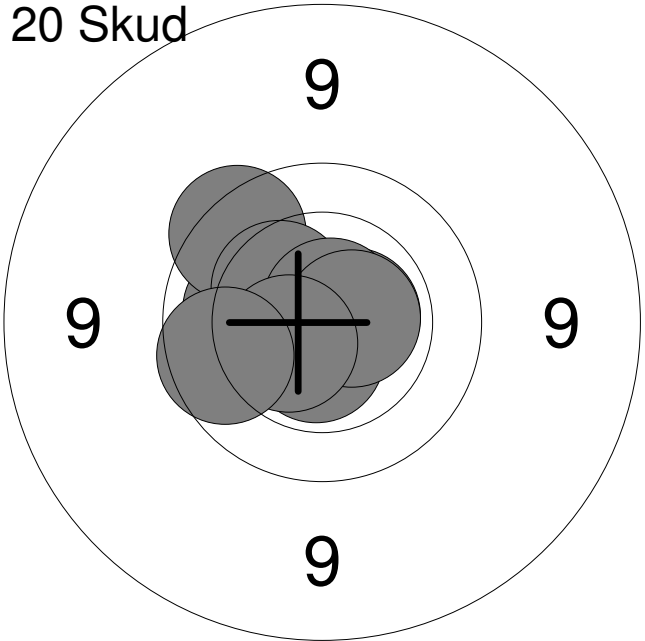
1:	10.2	↗
2:	9.7	↘
3:	10.8x	→
4:	10.0	↙
Serie		39
Total		0

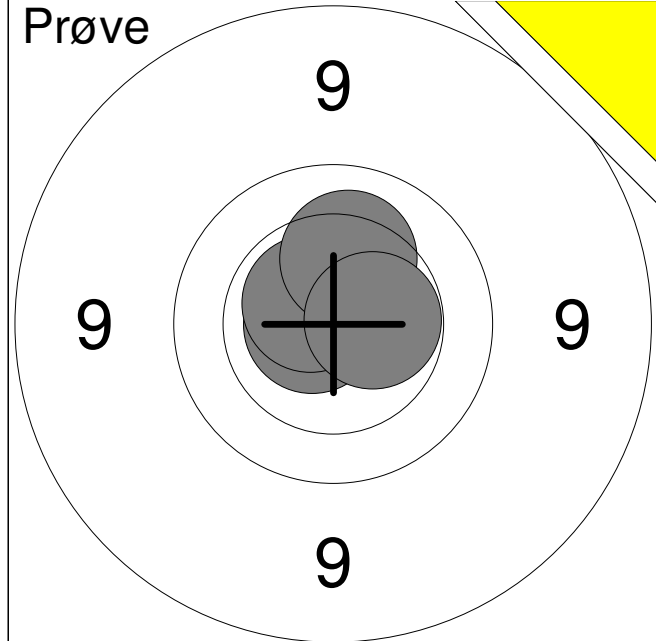


1:	10.1	→
2:	10.6x	↙
3:	10.7x	→
4:	10.4	↑
5:	10.8x	↙
6:	10.6	↓
7:	10.3	↙
8:	10.7x	↙
9:	10.4	↓
10:	10.3	→
Serie		100
Total		100

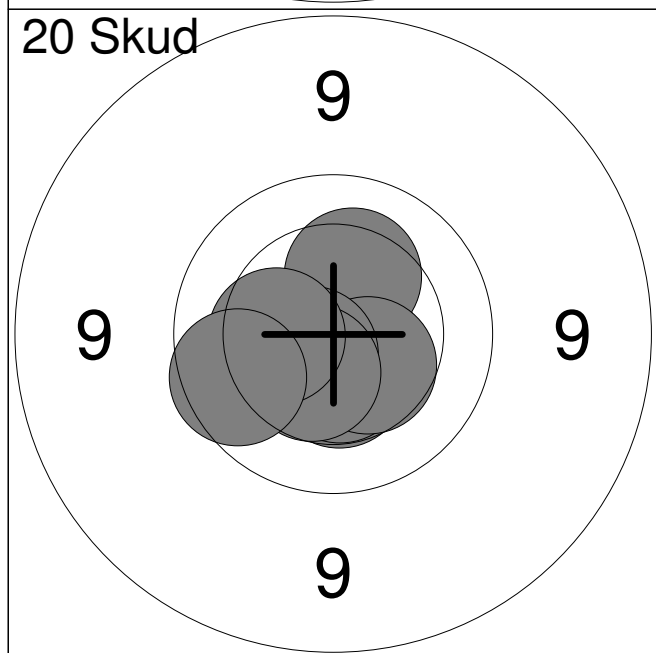


11:	10.7x	↙
12:	10.3	↗
13:	10.2	↗
14:	10.5	↙
15:	10.5	↙
16:	10.3	↓
17:	10.1	→
18:	10.4	↙
19:	10.7x	↓
20:	9.9	↓
Serie		99
Total		199

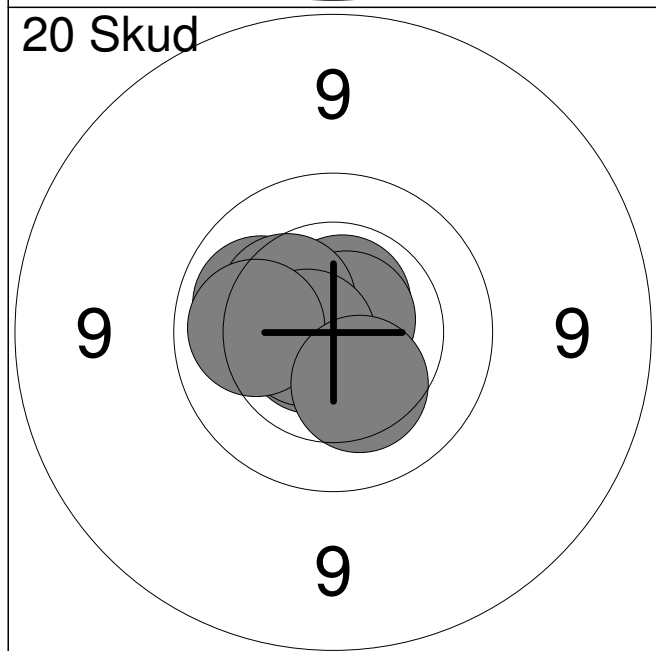
Hold 81	Skive 9	David Rønn		
Aalborg		Aalborg Skyttekreds		MUÅ1
15.02.2018		Jyllandsstævnet		Aalborg Skyttekreds
Prøve				1: 10.5 ↑ 2: 10.1 ↙ 3: 10.2 ↙ 4: 10.5x ↓ 5: 10.6x ↑
		Serie		50
		Total		0
20 Skud				1: 10.3 → 2: 10.7x ↓ 3: 10.8x → 4: 10.4 ↗ 5: 10.9x ↗ 6: 10.4 ↓ 7: 10.2 ← 8: 10.5x → 9: 10.4 → 10: 10.3 ↓
		Serie		100
		Total		100
20 Skud				11: 10.2 ← 12: 10.6x → 13: 9.8 ↗ 14: 10.8x ↗ 15: 10.6x ↓ 16: 10.4 ↗ 17: 10.8x ↗ 18: 10.6x → 19: 10.5x ← 20: 9.9 ←
		Serie		98
		Total		198



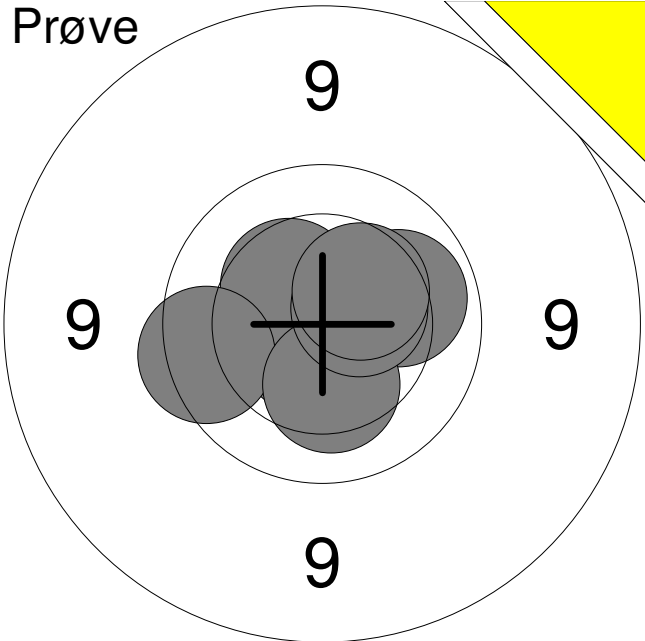
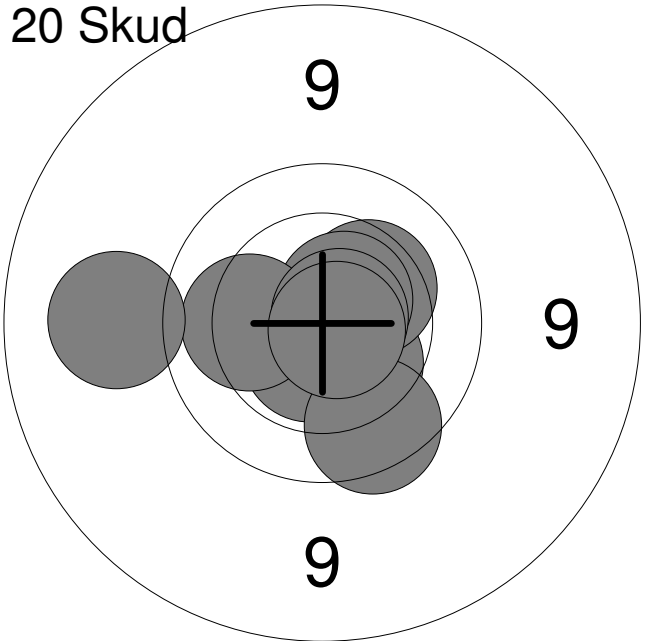
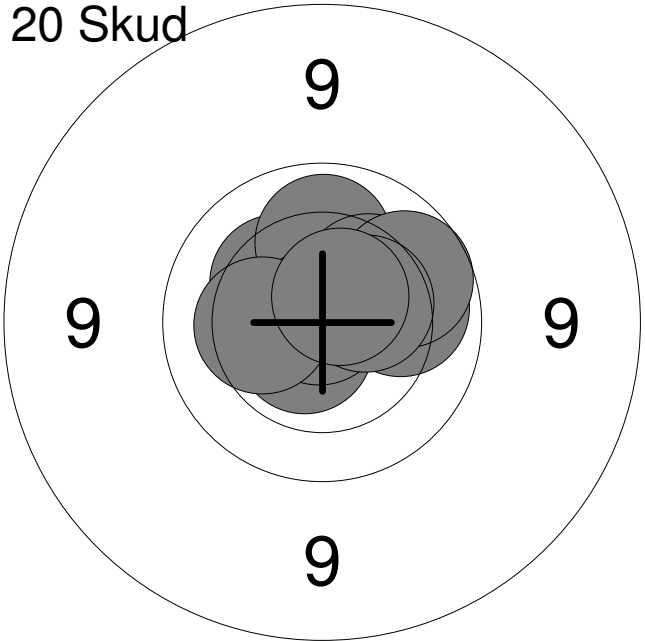
1:	10.7x	←
2:	10.6x	↑
3:	10.6x	↖
4:	10.2	↑
5:	10.5x	→
Serie		50
Total		0

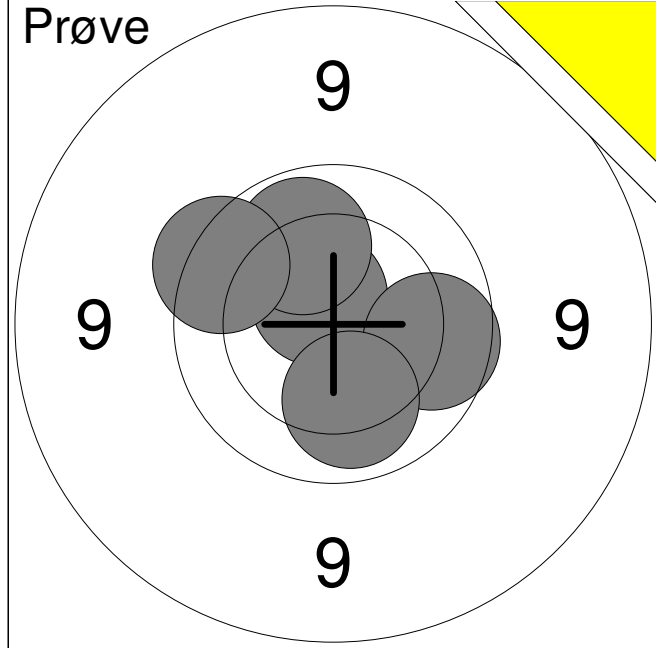


1:	10.4	↓
2:	10.5x	↓
3:	10.8x	↑
4:	10.7x	↘
5:	10.3	↑
6:	10.4	↘
7:	10.6x	↙
8:	10.5	↓
9:	10.3	←
10:	9.9	←
Serie		99
Total		99

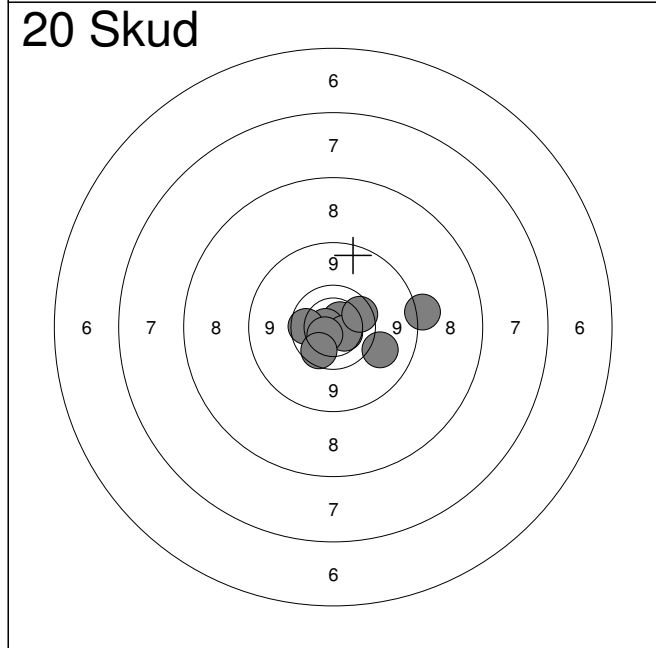


11:	10.7x	↙
12:	10.8x	↖
13:	10.7x	↑
14:	10.6x	↑
15:	10.1	←
16:	10.7x	↗
17:	10.3	↖
18:	10.7x	←
19:	10.1	←
20:	10.3	↓
Serie		100
Total		199

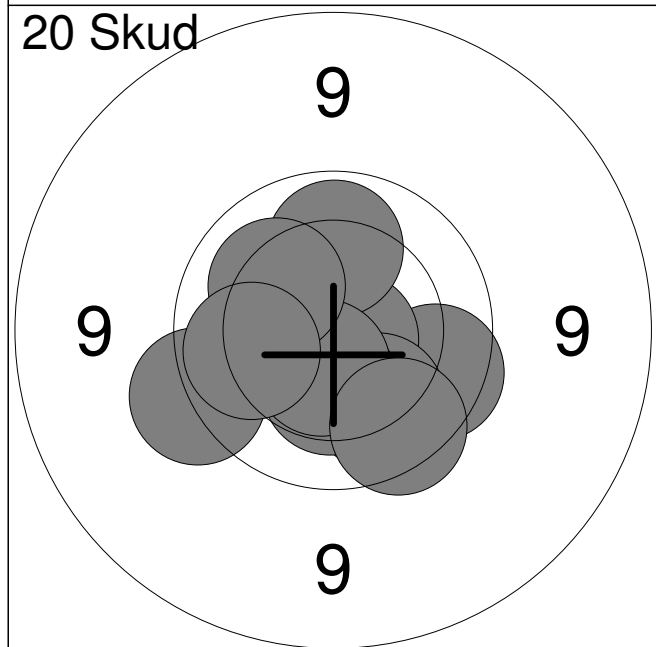
Hold	Skive	William Rønn		
81	11	Aalborg	Aalborg Skyttekreds	MBK2
15.02.2018	Jyllandsstævnet	Aalborg Skyttekreds		
Prøve		1:	10.1	→
		2:	10.7x	↓
		3:	10.4	↗
		4:	9.8	←
		5:	10.3	↓
		6:	10.5x	↗
		7:	10.4	↗
		Serie		69
		Total		0
20 Skud		1:	10.7x	↓
		2:	10.4	↓
		3:	10.3	↗
		4:	10.6x	↗
		5:	10.6x	↓
		6:	9.8	↓
		7:	10.1	←
		8:	10.7x	↗
		9:	9.2	←
		10:	10.8x	↘
		Serie		98
		Total		98
20 Skud		11:	10.3	↗
		12:	10.1	→
		13:	10.1	↑
		14:	10.6x	↓
		15:	10.9x	↗
		16:	10.3	←
		17:	10.3	↗
		18:	9.9	↗
		19:	10.4	↗
		20:	10.6x	↗
		Serie		99
		Total		197



1:	10.6x	↗
2:	10.0	↗
3:	9.7	↖
4:	9.9	→
5:	10.1	↓
Serie		48
Total		0



1:	8.6	→
2:	10.5x	↗
3:	10.6x	←
4:	10.4	↘
5:	9.3	↘
6:	9.8	↗
7:	9.9	←
8:	10.5	↙
9:	9.9	↓
10:	0.0	↑
Serie		84
Total		84



11:	9.8	↘
12:	10.7x	↘
13:	10.0	↓
14:	10.3	↓
15:	10.0	↑
16:	10.5x	↓
17:	9.6	←
18:	10.2	↗
19:	10.0	←
20:	9.8	↓
Serie		97
Total		181